

Customer Name

Project Name

Part Number

 • •

Description

SIRS-E® Mount Aluminum Extrusions for smooth, sleek mounting for the SIRS-E® LED Strip lines and other flexible linear lighting. Select an Extrusion that fits your LED strip, matches your space requirements and aesthetic preference.

- White or Black finish available on special order.
- Diffuser offers a dot-less light using SIRS-E® LED Strips.
- Bundles include an Opal diffuser and mounting accessories.
- Pre-cut into 2 meters (78.7 inches) segments.
- Default Opal diffuser optical loss of 40% dot -free, maintaining beam angle.
- Optional clear diffuser optical loss of 2% LED dots visible maintaining beam angle.
- Environment Indoor-Outdoor, IP40 and 3 years of warranty.

Available in various shapes and mounting options:


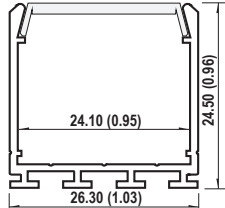



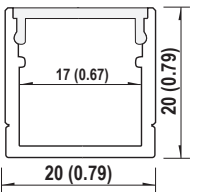



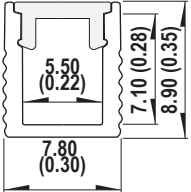
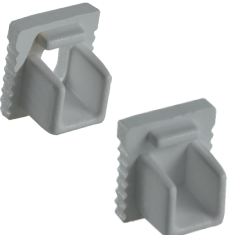

- Surface
- Recessed
- Corner
- Suspended
- Plaster-in Drywall


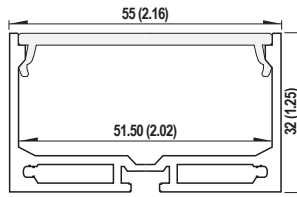

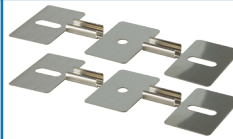

Suitable Applications:

- Fixture Creations
- Grooved Floor Lighting
- Cove Lighting
- Facade Lighting
- Direct Downlighting
- Shelf Lighting
- Suspended Lighting
- Ceiling Lighting
- Under/Above Cabinet Lighting
- Wall Effects Lighting
- Under Baseboard Lighting


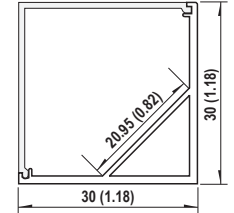



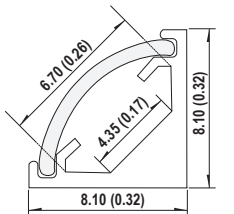



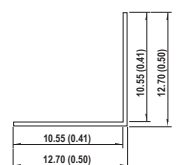
Products Specifications

Surface Mounts


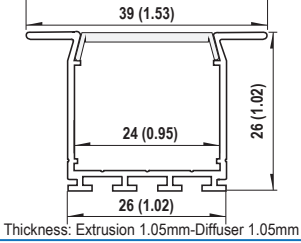



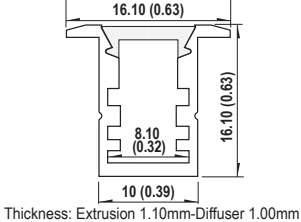


ALUMINUM EXTRUSION	DESCRIPTION	PART NUMBER	INCLUDED ACCESSORIES	MOUNTING OPTIONS	DRAW mm (in.)	END CAP	CLIP MOUNTING	RECOMMENDED LED STRIP
	<p>• SIRS-E® SF-RS2403 Surface Mount Aluminum Extrusion.</p> <p>Material: Aviation 6063-T5 Aluminium. Length: 78in / 2m Color: Silver Anodized Default Diffuser: Opal Optional Diffuser: Clear</p>	SE-SF2403_2	<ul style="list-style-type: none"> • 1 Opal Diffuser. • 2 End caps. • 2 Clips. 	Surface Mount. -Vertical -Horizontal -Hanging	 <p>Thickness: Extrusion 1.00mm-Diffuser 2.10mm</p>			<ul style="list-style-type: none"> • AcuVivid-Fit™ • AcuVivid™ White • AcuVibrant™ RGB • AcuHue™ RGBW CV • AcuHue™ RGBW CC • DMX Digital DD • SPI Digital SD • Other LED Strip Lights.
	<p>• SIRS-E® SF-RS2020S Surface Mount Aluminum Extrusion.</p> <p>Material: Aviation 6063-T5 Aluminium. Length: 78in / 2m Color: Silver Anodized Default Diffuser: Opal Optional Diffuser: Clear</p>	SE-SF2020S_2	<ul style="list-style-type: none"> • 1 Opal Diffuser. • 2 End caps. • 2 Clips. 	Surface Mount. -Vertical -Horizontal -Hanging.	 <p>Thickness: Extrusion 1.20mm-Diffuser 1.20mm</p>			<ul style="list-style-type: none"> • AcuVivid-Fit™ • AcuVivid™ White • AcuVibrant™ RGB • AcuHue™ RGBW CV • AcuHue™ RGBW CC • DMX Digital DD • SPI Digital SD • Other LED Strip Lights.
	<p>• SIRS-E® SE-SF078 Surface Mount Aluminum Extrusion.</p> <p>Material: Aviation 6063-T5 Aluminium. Length: 78in / 2m Color: Silver Anodized Default Diffuser: Opal Optional Diffuser: Clear</p>	SE-SF078_2	<ul style="list-style-type: none"> • 1 Opal Diffuser. • 2 End caps. • 2 Clips. 	Surface Mount. -Vertical -Horizontal -Hanging	 <p>Thickness: Extrusion 1.00mm-Diffuser 0.80mm</p>			<ul style="list-style-type: none"> • AcuVivid-Fit™ • Other LED Strip Lights.

ALUMINUM EXTRUSION	DESCRIPTION	PART NUMBER	INCLUDED ACCESSORIES	MOUNTING OPTIONS	DRAW mm (in.)	END CAP	CLIP MOUNTING	RECOMMENDED LED STRIP
	<ul style="list-style-type: none"> • SIRS-E® SE-SP5532 Surface Aluminum Extrusion. <p>Material: Aviation 6063-T5 Aluminium. Length: 78in / 2m Color: Silver Anodized Default Diffuser: Opal Optional Diffuser: Clear</p>	SE-SP5532_2	<ul style="list-style-type: none"> • 1 Opal Diffuser. • 2 End caps. • 2 Clips. • Suspended wire (optional) 	<p>Suspended Mount.</p> <ul style="list-style-type: none"> -Vertical -Horizontal 	 <p>Thickness: Extrusion 1.80mm-Diffuser 2.00mm</p>		 <p>OPTIONAL</p> 	<ul style="list-style-type: none"> • AcuVivid-Fit™ • AcuVivid™ White • AcuVibrant™ RGB • AcuHue™ RGBW CV • AcuHue™ RGBW CC • DMX Digital DD • SPI Digital SD • Other LED Strip Lights.


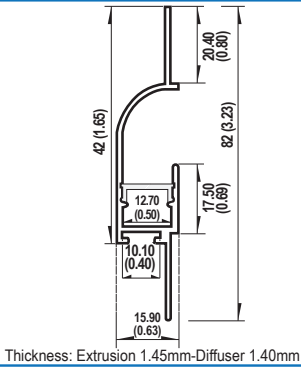
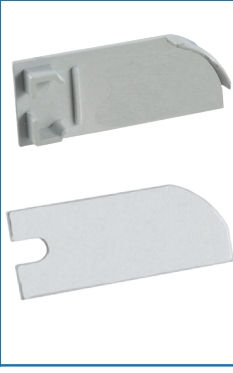

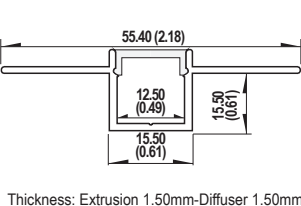

Corner Mounts

ALUMINUM EXTRUSION	DESCRIPTION	PART NUMBER	INCLUDED ACCESSORIES	MOUNTING OPTIONS	DRAW mm (in.)	END CAP	CLIP MOUNTING	RECOMMENDED LED STRIP
	<ul style="list-style-type: none"> • SIRS-E® CR-3030S Corner Mount Aluminum Extrusion. <p>Material: Aviation 6063-T5 Aluminium. Length: 78in / 2m Color: Silver Anodized Default Diffuser: Opal Optional Diffuser: Clear</p>	SE-CR3030S_2	<ul style="list-style-type: none"> • 1 Opal Diffuser. • 2 End caps. • 2 Clips. 	<p>Corner Mount.</p> <ul style="list-style-type: none"> -Corners -Wall borders 	 <p>Thickness: Extrusion 1.20mm-Diffuser 1.30mm</p>			<ul style="list-style-type: none"> • AcuVivid-Fit™ • AcuVivid™ White • AcuVibrant™ RGB • AcuHue™ RGBW CV • AcuHue™ RGBW CC • DMX Digital DD • SPI Digital SD • Other LED Strip Lights.
	<ul style="list-style-type: none"> • SIRS-E® SE-CR09 Corner Mount Aluminum Extrusion. <p>Material: Aviation 6063-T5 Aluminium. Length: 78in / 2m Color: Silver Anodized Default Diffuser: Opal Optional Diffuser: Clear</p>	SE-CR09_2	<ul style="list-style-type: none"> • 1 Opal Diffuser. • 2 End caps. • 2 Clips. 	<p>Corner Mount.</p> <ul style="list-style-type: none"> -Corners -Wall borders 	 <p>Thickness: Extrusion 1.00mm-Diffuser 1.00mm</p>			<ul style="list-style-type: none"> • 4mm LED strips • Other LED Strip Lights.
	<ul style="list-style-type: none"> • SIRS-E® SE-AB1212 Aluminum Angle Bar. <p>Material: Aviation 6063-T5 Aluminium. Length: 78in / 2m Color: Silver Anodized Default Diffuser: Opal Optional Diffuser: Clear</p>	SE-AB1212-8F		<p>Recessed Mount.</p> <ul style="list-style-type: none"> -Vertical 	 <p>Thickness: Extrusion 1.59mm (1/16 in.)</p>	N/A	N/A	<ul style="list-style-type: none"> • AcuVivid-Fit™ • AcuVivid™ White • AcuVibrant™ RGB • SPI Digital SD • Other LED Strip Lights.


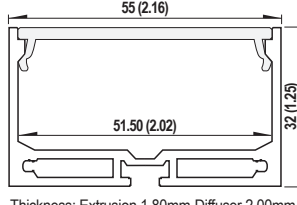



Recessed Mounts

ALUMINUM EXTRUSION	DESCRIPTION	PART NUMBER	INCLUDED ACCESSORIES	MOUNTING OPTIONS	DRAW mm (in.)	END CAP	CLIP MOUNTING	RECOMMENDED LED STRIP
	<p>• SIRS-E[®] SE-RS2404 Recessed Mount Aluminum Extrusion.</p> <p>Material: Aviation 6063-T5 Aluminium. Length: 78in / 2m Color: Silver Anodized Default Diffuser: Opal Optional Diffuser: Clear</p>	SE-RS2404_2	<ul style="list-style-type: none"> • 1 Opal Diffuser. • 2 End caps. • 2 Clips. • 4 springs 	Recessed Mount. -Vertical	 <p>Thickness: Extrusion 1.05mm-Diffuser 1.05mm</p>			<ul style="list-style-type: none"> • AcuVivid-Fit™ • AcuVivid™ White • AcuVibrant™ RGB • AcuHue™ RGBW CV • AcuHue™ RGBW CC • DMX Digital DD • SPI Digital SD • Other LED Strip Lights.
	<p>• SIRS-E[®] SE-RS1615 Recessed Mount Aluminum Extrusion.</p> <p>Material: Aviation 6063-T5 Aluminium. Length: 78in / 2m Color: Silver Anodized Default Diffuser: Opal Optional Diffuser: Clear</p>	SE-RS1615_2	<ul style="list-style-type: none"> • 1 Opal Diffuser. • 2 End caps. • 2 Clips. 	Recessed Mount. -Vertical	 <p>Thickness: Extrusion 1.10mm-Diffuser 1.00mm</p>			<ul style="list-style-type: none"> • AcuVivid-Fit™ • Other LED Strip Lights.


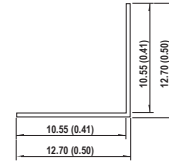


Plaster-In Drywall Mounts

ALUMINUM EXTRUSION	DESCRIPTION	PART NUMBER	INCLUDED ACCESSORIES	MOUNTING OPTIONS	DRAW mm (in.)	END CAP	CLIP MOUNTING	RECOMMENDED LED STRIP
	<p>• SIRS-E[®] SE-DW8115 Plaster-In Drywall Mount Aluminum Extrusion.</p> <p>Material: Aviation 6063-T5 Aluminium. Length: 78in / 2m Color: Silver Anodized Default Diffuser: Opal Optional Diffuser: Clear</p>	SE-DW8115_2	<ul style="list-style-type: none"> • 1 Opal Diffuser. • 2 End caps. 	Plaster-In Drywall Mount. -Vertical -Horizontal -Crown Molding -Baseboard	 <p>Thickness: Extrusion 1.45mm-Diffuser 1.40mm</p>		N/A	<ul style="list-style-type: none"> • AcuVivid-Fit™ • AcuVivid™ White • AcuVibrant™ RGB • AcuHue™ RGBW CV • SPI Digital SD • Other LED Strip Lights.
	<p>• SIRS-E[®] SE-DW5615 Plaster-In Drywall Mount Aluminum Extrusion.</p> <p>Material: Aviation 6063-T5 Aluminium. Length: 78in / 2m Color: Silver Anodized Default Diffuser: Opal Optional Diffuser: Clear</p>	SE-DW5615_2	<ul style="list-style-type: none"> • 1 Opal Diffuser. • 2 End caps. 	Plaster-In Drywall Mount. -Vertical -Horizontal	 <p>Thickness: Extrusion 1.50mm-Diffuser 1.50mm</p>		N/A	<ul style="list-style-type: none"> • AcuVivid-Fit™ • AcuVivid™ White • AcuVibrant™ RGB • AcuVibrant™ RGBW CV • SPI Digital SD • Other LED Strip Lights.

Suspended Mount

ALUMINUM EXTRUSION	DESCRIPTION	PART NUMBER	INCLUDED ACCESSORIES	MOUNTING OPTIONS	DRAW mm (in.)	END CAP	CLIP MOUNTING	RECOMMENDED LED STRIP
	<ul style="list-style-type: none"> • SIRS-E® SE-SP5532 Surface Aluminum Extrusion. <p>Material: Aviation 6063-T5 Aluminium. Length: 78in / 2m Color: Silver Anodized Default Diffuser: Opal Optional Diffuser: Clear</p>	SE-SP5532_2	<ul style="list-style-type: none"> • 1 Opal Diffuser. • 2 End caps. • 2 Clips. • Suspended wire (optional) 	Suspended Mount. -Vertical -Horizontal	 <p>Thickness: Extrusion 1.80mm-Diffuser 2.00mm</p>		 <p>OPTIONAL </p>	<ul style="list-style-type: none"> • AcuVivid-Fit™ • AcuVivid™ White • AcuVibrant™ RGB • AcuHue™ RGBW CV • AcuHue™ RGBW CC • DMX Digital DD • SPI Digital SD • Other LED Strip Lights.

Aluminum Flat & Angle Bar

ALUMINUM EXTRUSION	DESCRIPTION	PART NUMBER	INCLUDED ACCESSORIES	MOUNTING OPTIONS	DRAW mm (in.)	END CAP	CLIP MOUNTING	RECOMMENDED LED STRIP
	<ul style="list-style-type: none"> • SIRS-E® SE-AB1212 Aluminum Angle. <p>Material: Aviation 6063-T5 Aluminium. Length: 78in / 2m Color: Silver Anodized Default Diffuser: Opal Optional Diffuser: Clear</p>	SE-AB1212-8F		Recessed Mount. -Vertical	 <p>Thickness: Extrusion 1.59mm (1/16 in.)</p>	N/A	N/A	<ul style="list-style-type: none"> • AcuVivid-Fit™ • AcuVivid™ White • AcuVibrant™ RGB • SPI Digital SD • Other LED Strip Lights.
	<ul style="list-style-type: none"> • SIRS-E® SE-FB12 Aluminum Flat Bar. <p>Material: Aviation 6063-T5 Aluminium. Length: 78in / 2m Color: Silver Anodized Default Diffuser: Opal Optional Diffuser: Clear</p>	SE-FB12-6F		Recessed Mount. -Vertical	 <p>Thickness: Extrusion 1.59mm (1/16 in.)</p>	N/A	N/A	<ul style="list-style-type: none"> • AcuVivid-Fit™ • AcuVivid™ White • AcuVibrant™ RGB • AcuHue™ RGBW CV • SPI Digital SD • Other LED Strip Lights.

Notes:

This product is compatible with SIRS-E® LED strip lines and other LED lights. Please ensure our aluminum extrusion will fit your light by considering its overall measurements.

Specifications are subject to change without notice.

About Us



SIRS-E® / semiconductor • illumination • research • solutions/

In 2004, SIRS-E® began research into the use of high powered LED components to be applied in direct lighting fixture and LED strips.

In 2005, SIRS-E® developed the RGB HPL01-12 watt (60 lumens per watt efficiency) RGB lighting fixture controlled via DMX using LumiLEDs, one of the first high powered LEDs eventually acquired by Phillips. Included in nearly research solutions, was the development and testing of many different LED strips intended to be used for direct RGB lighting and effects applications. This was the beginning of what we now know as SIRS-E®.