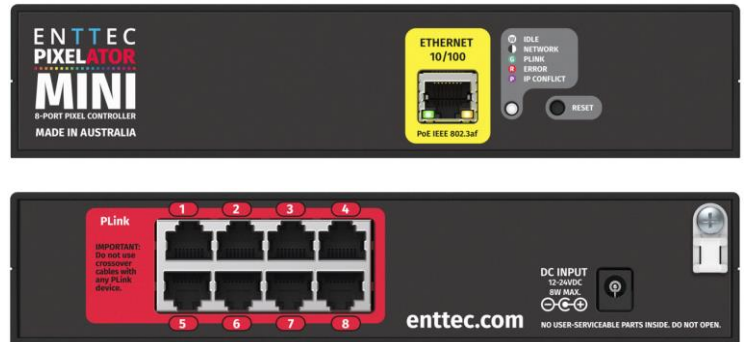


# PIXELATOR MINI – Datasheet

16 Universe (8 output) master controller for a PLINK system.



ENTTEC's PIXELATOR MINI is an 8-port Ethernet pixel converter that forms the head end of the PLINK control system. Each PIXELATOR MINI can receive up to 16 Universes of DMX over Ethernet and converts them to ENTTEC's proprietary PLINK protocol to be connected to Plink devices, (up to 2 universes of pixel control data is sent per port).

Each PLINK port can send data 300m using CAT6 cable to ENTTEC devices that receive PLINK data.

The PIXELATOR MINI is powerful enough to control up to 8,192 channels (2,730 RGB Pixels) with perfect synchronization and high refresh rate across all eight outputs.

The PIXELATOR MINI can be configured to receive sACN, ArtNet, ESP or Kling-Net, then set to output a wide range of output pixel protocols using its intuitive web interface.

Mount the PIXELATOR MINI in any location using the accessories included in the box from rack, to surface, to DIN. It can be powered using either PoE or the DC Jack PSU that comes in the box.

Controlling LED pixels, dots and digital strips has never been easier!

Depending on your project, you can partner the PIXELATOR MINI with an indoor or outdoor PLINK INJECTOR compatible with the pixels you've installed. Alternatively, pair it with our CVC4 AUTO-ADDRESSING CONSTANT VOLTAGE LED DIMMERS - to create large LED control systems with minimum configuration.

## Features

- 16 Universe Ethernet to PLINK data over Cat5e/Cat6 cable
- 8\* RJ45 ports (each providing 2 Universes of PLINK data output)
- 1U Half Width form factor with mounting options for 1U Half Width Rack, 19" Rack, Surface mount, TS-35 DIN mounting.
- Easy to configure & update through any web browser
- Supports sACN, Art-Net, ESP, Kling-Net
- RJ45 connector (10/100 Mbps)
- Active IEEE 802.3AF Active PoE or 12-24v DC power input.
- All ports feature ESD surge protection and resettable fuses to block external faults & electrical noise propagation through control infrastructure.
- Power and output status LED indicators.
- Static or Dynamic (DHCP) IP configuration (DHCP by default)
- Compatible with ENTTEC PLINK INJECTOR range
- Compatible with ENTTEC CVC4 RGBW auto-addressable LED dimmer.
- Pixel grouping is configurable for each PLINK port. (1 to 340) for RGB / (1 to 256) for RGBW
- Each PLINK output can be assigned up to 2 Ethernet Universes.
- Pixel ordering is configurable for each PLINK port.

## Specification

<b>Connectors</b>	8* PLINK output (RJ45)	
	1* Power input (DC)	
	1* Ethernet (RJ45)	
<b>ESD Protection</b>	Resettable fuse & TVS suppression per port.	
<b>Surge Protection</b>	Yes (all ports)	
<b>IP rating</b>	IP20	
<b>LED status indicator</b>	Forward facing LED indicator	
	Network link/Activity (integrated into RJ45 port)	
<b>Input protocols</b>	Art-Net	sACN
	Kling-net	ESP
<b>Output protocol</b>	PLINK DATA	
<b>Max. output channels</b>	8192 (16 Universes)	
<b>Max. output refresh rate</b>	40FPS	
<b>Network speed</b>	10/100Base-T	
<b>Network configuration</b>	Static / DHCP	
<b>RDM</b>	No	
<b>Configuration &amp; Update</b>	Web Interface	
<b>Input voltage</b>	12-24V DC / PoE IEEE802.3AF	
<b>Max. Power draw</b>	8 Watts	
<b>Cooling method</b>	Convection	
<b>Environmental operating temperature</b>	-20°C to 50°C 32°F to 122°F	
<b>Environmental operating humidity</b>	5- 95% (non-condensing)	
<b>Body material</b>	ABS + anodized aluminium	
<b>Rack Ear Material</b>	Powder coated aluminium.	
<b>Unit weight</b>	0.44kg / 0.97lbs	
<b>Shipping dimensions</b>	390*210*110 mm	
<b>Shipping weight</b>	0.79kg / 1.74lbs	
<b>Warranty</b>	3-year return to base manufacturer warranty	

## Certification



## Box contents

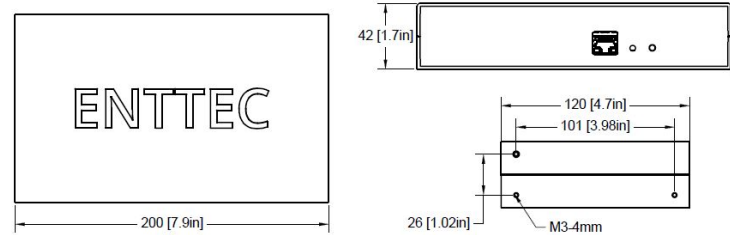
- PIXELATOR MINI (70067)
- 1 x 2m cat5 cable (79102)
- 1 x 12V PSU adaptor with international plugs
- Rack mounting bracket, Surface/Din mounting bracket, Din Clip & screws
- 1 x Read Me Card with ELM Promo Code (16 Universes)  
Promo Code is implemented after SN:0050C20845D6 (August 2022)

## RJ45 Pinout for PLINK output

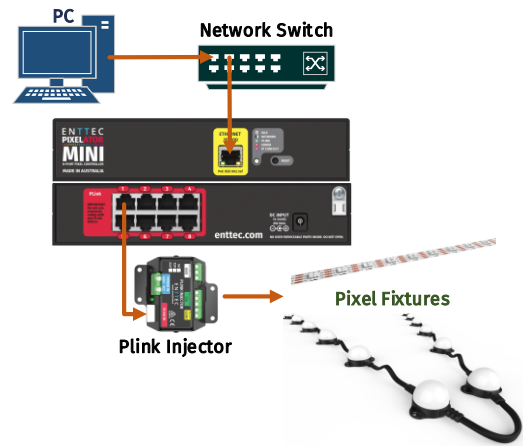
Pin 1: Data +	Pin 2: Data -	Pin 7/8: Ground
---------------	---------------	-----------------

Do not use crossover cables with any Plink device

## Physical dimensions



## Application diagram



## Safety

- This unit is intended for indoor use only. Do not expose to rain or moisture, doing this will void the warranty.
- Make all the connections before you power it.
- Do not remove the cover, there are no user serviceable parts inside.
- Never plug this unit into a dimmer.
- Fit this unit in an area that will allow sufficient of ventilation.
- Label any PLINK output cable and DO NOT connect to non-PLINK devices (i.e. Ethernet Switches). Connecting incompatible systems could result in permanent damage to equipment.

## Ordering information

For further support and to browse ENTTEC's range of products visit the [ENTTEC website](https://www.enttec.com).

Item	SKU
Pixelator Mini	70067
PLINK INJECTOR (5v)	73546
PLINK INJECTOR (12v-24v)	73544

# enttec.com

MELBOURNE AUS / LONDON UK / RALEIGH-DURHAM USA

Due to constant innovation, information within this document is subject to change.