

PILOTINO WiFi™ PCB



Introduction

The PILOTINO WiFi™ PCB is a connectivity expansion device intended for use with the PILOTINO™ PCB CV LED decoder. This device is a plug and play unit that instantly equips the PILOTINO™ PCB with a WiFi Network Connection. The PILOTINO WiFi™ PCB is compatible with any kind of Art-Net app, allowing the user to easily integrate it into any project. Equipped with an onboard IO socket, the module easily connects directly to the PILOTINO™ PCB, making for an effortless configuration. Just connect the device to the IO socket and it is ready to go. This device is compatible with any sort of Network Based DMX control system, including Art-Net.

Control Options

Input Control protocol: DMX512-A

ArtNet 4

Environment

Working Ambient Temp.: -10 to +45° C

Working Humidity: 0-90% (non-condensing)

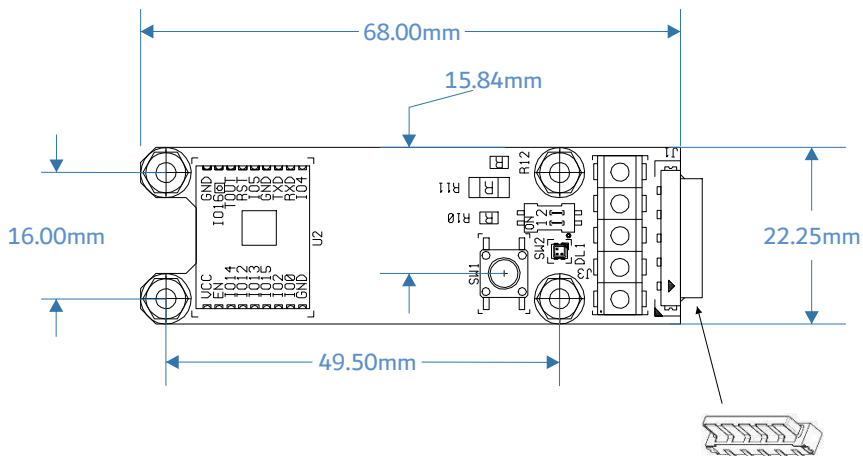
IP Rating: Ip20

Key Features:

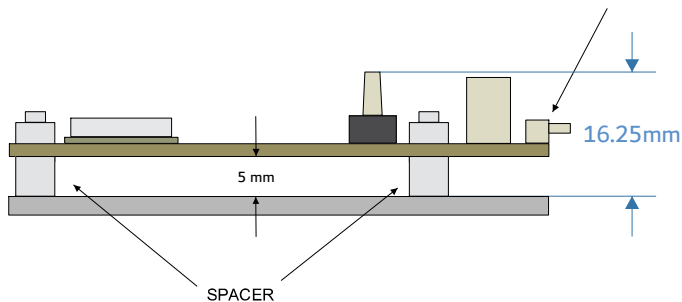
- WiFi mode: Station/SoftAP
- Compatible with any ArtNet App
- Robust Wireless 2.4GHz Signal
- Onboard IO socket for quick integration
- Wire to Board Quick Connectors
- Plug and Play with Onboard IO Socket
- 5 Year Limited Warranty
- Made in Italy

Package Contents

- + PILOTINO™ WiFi PCB - **SKU:** Pilotino-Wifi
- + u.FL to Female SMA Coax Cable (10 cm)
- + Dipole Tilt Swivel Antenna



PILOTINO WiFi™ PCB



Check Our Page!