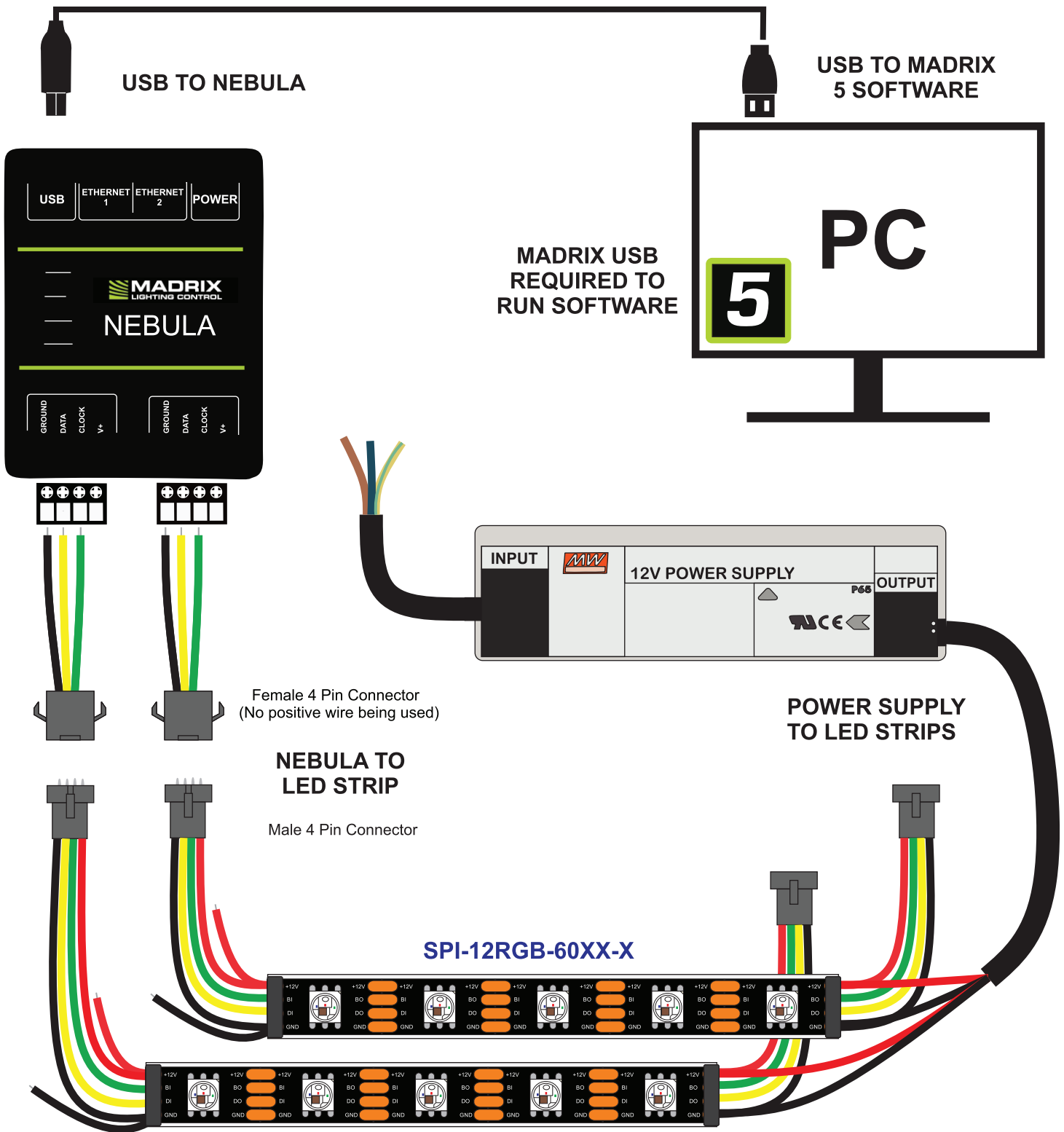


Note: Highly recommended to use only one power supply source

OPTION 1



Note: Highly recommended to use only one power supply source

OPTION 2