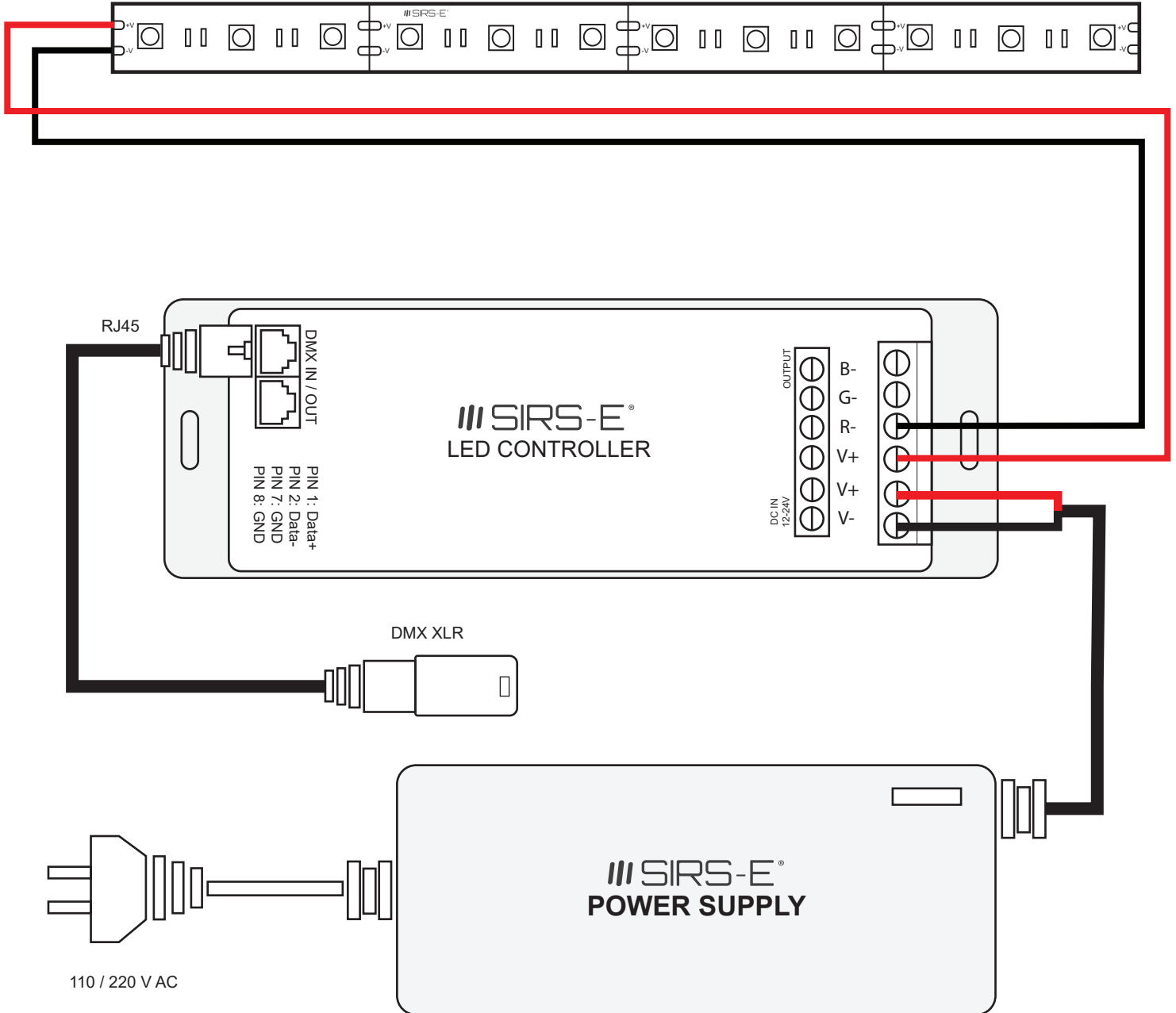


Customer Name

Project Name

Part Number



* We recommend you hire a licensed electrician for any electrical connection and/or installation.