

Customer Name

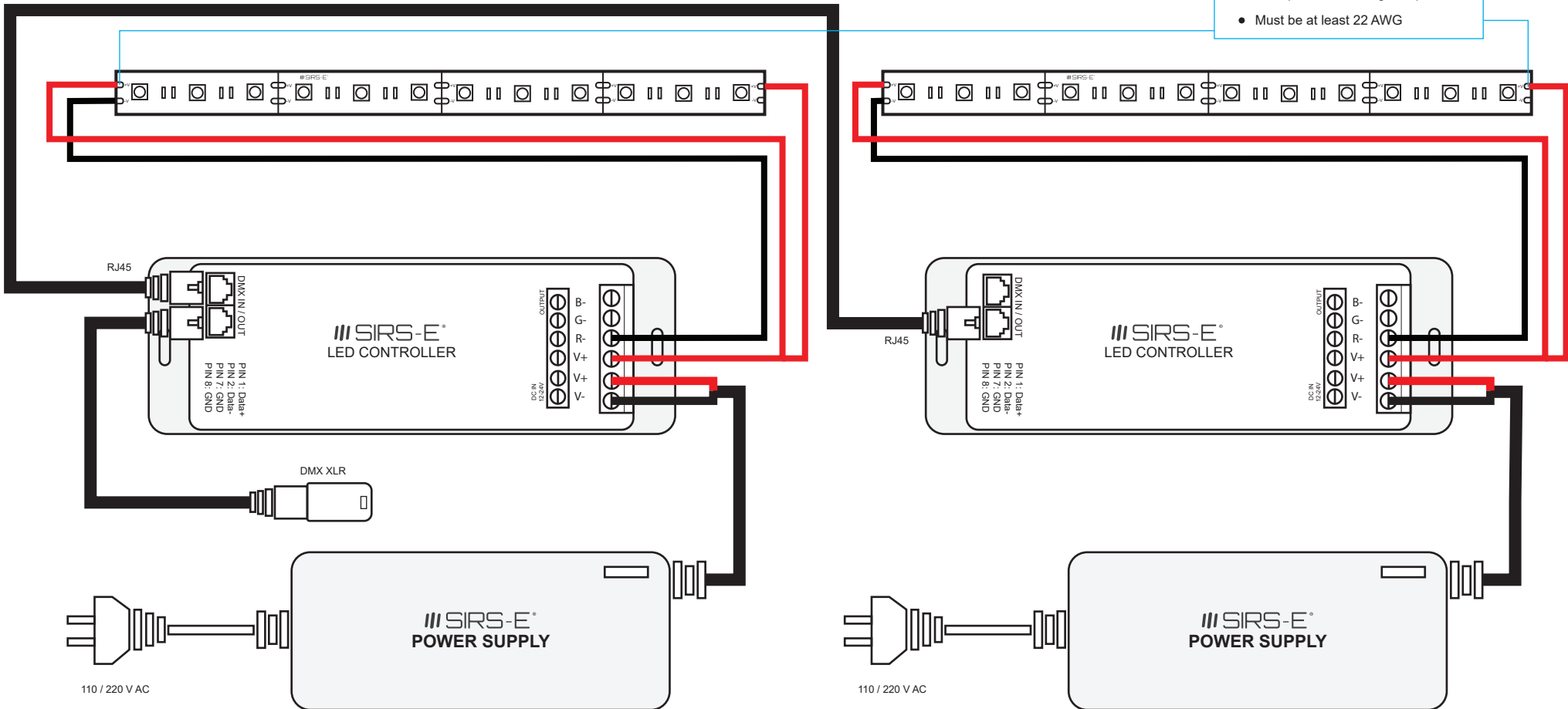
Project Name

Part Number

SAMPLE 1

* We recommend you hire a licensed electrician for any electrical connection and/or installation.

- Apply positive voltage to end of strip to avoid voltage drop
- Must be at least 22 AWG



SAMPLE 2

* We recommend you hire a licensed electrician for any electrical connection and/or installation.

