

Customer Name

Project Name

Part Number

Description

Complete your waterproof LED tape (strip) lighting applications with waterproof endcaps for your leads and tails. These standard endcaps are useable for tape lighting with 10mm and 12 mm width flexible PCBs with options for with or without holes.

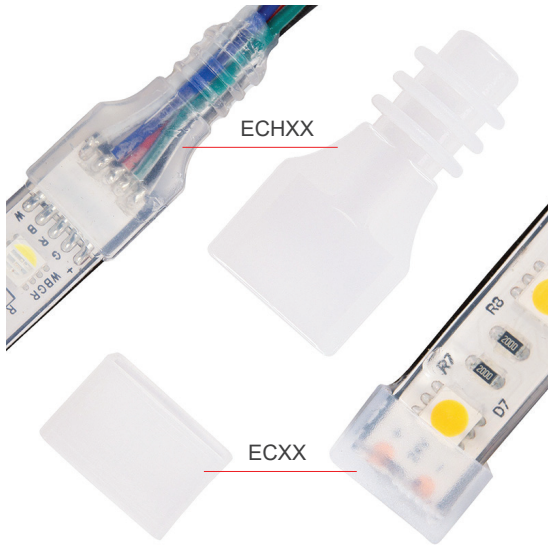
Solid endcaps can be used to terminate ends where “no” protruding wires will be present. Endcaps with holes can be used where protruding wires “will” be present for lead wires used to run power and/or data signal. All endcaps will require a silicone sealant to bond and secure cappings into place.

Applications:

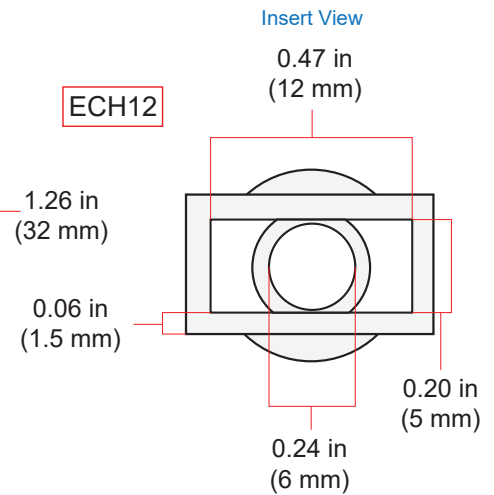
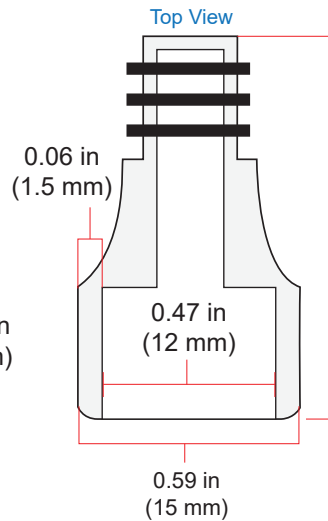
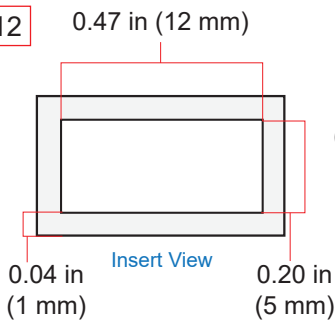
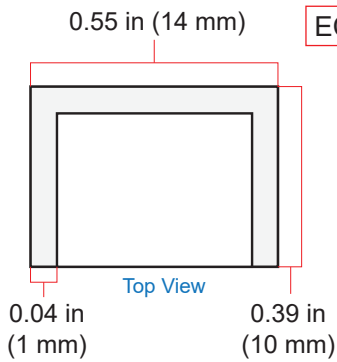
For use with IP67 (silicone sleeved) or IP68 (silicone extruded/injected) tape lighting.

Accessories:

Clear RTV Silicone Sealant #LED-RTV-SIL
Silicone Bracket #5050-sb-kit



12 mm - For use with 12mm flexible PCB



10 mm - For use with 10mm flexible PCB

