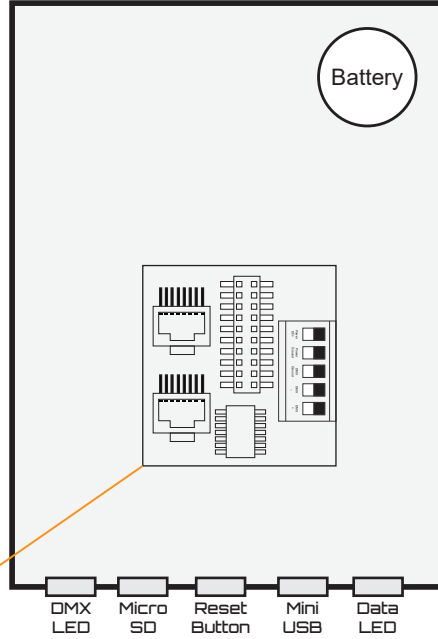
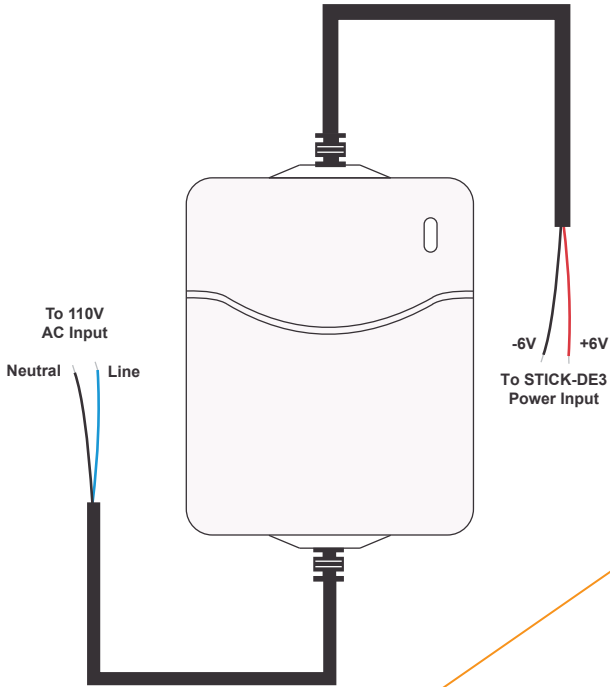


Customer Name

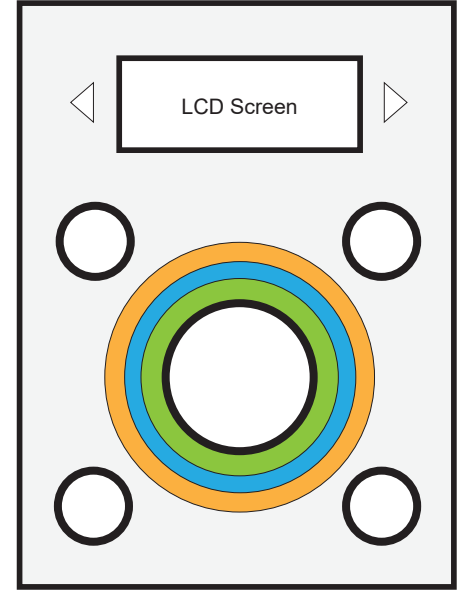
Project Name

Part Number

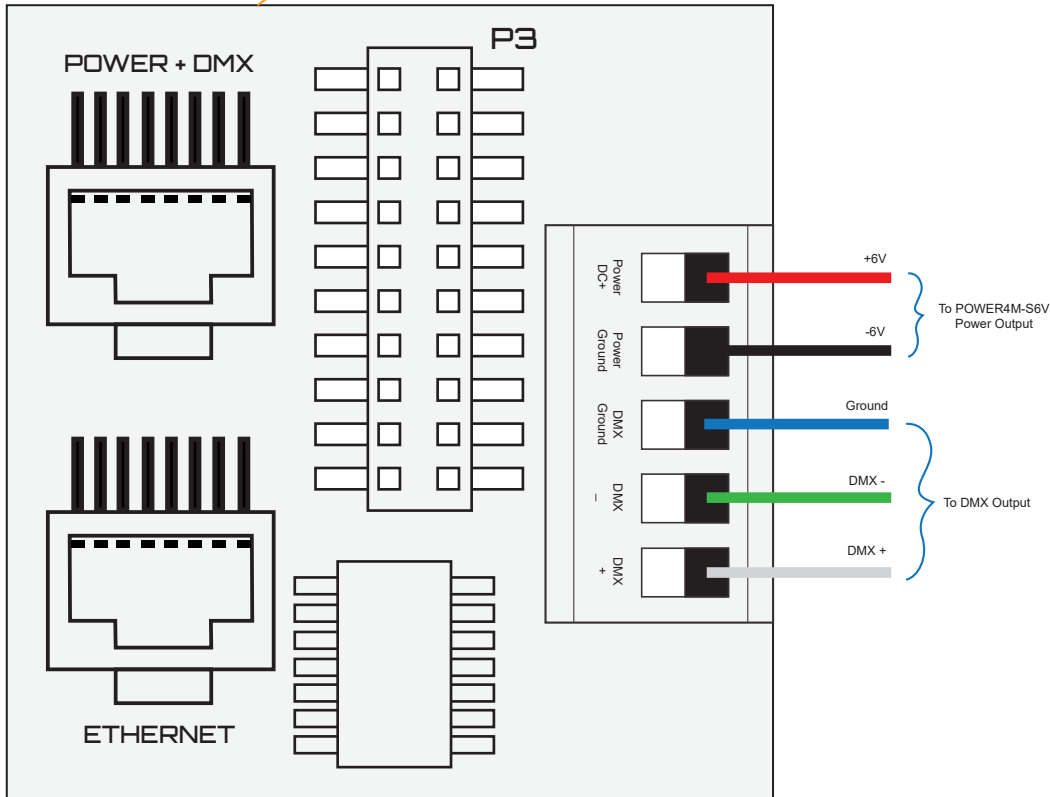
POWER4M-S6V



STICK-DE3 back view



STICK-DE3 front view



STICK-DE3 | Back View Connectors Close-Up

