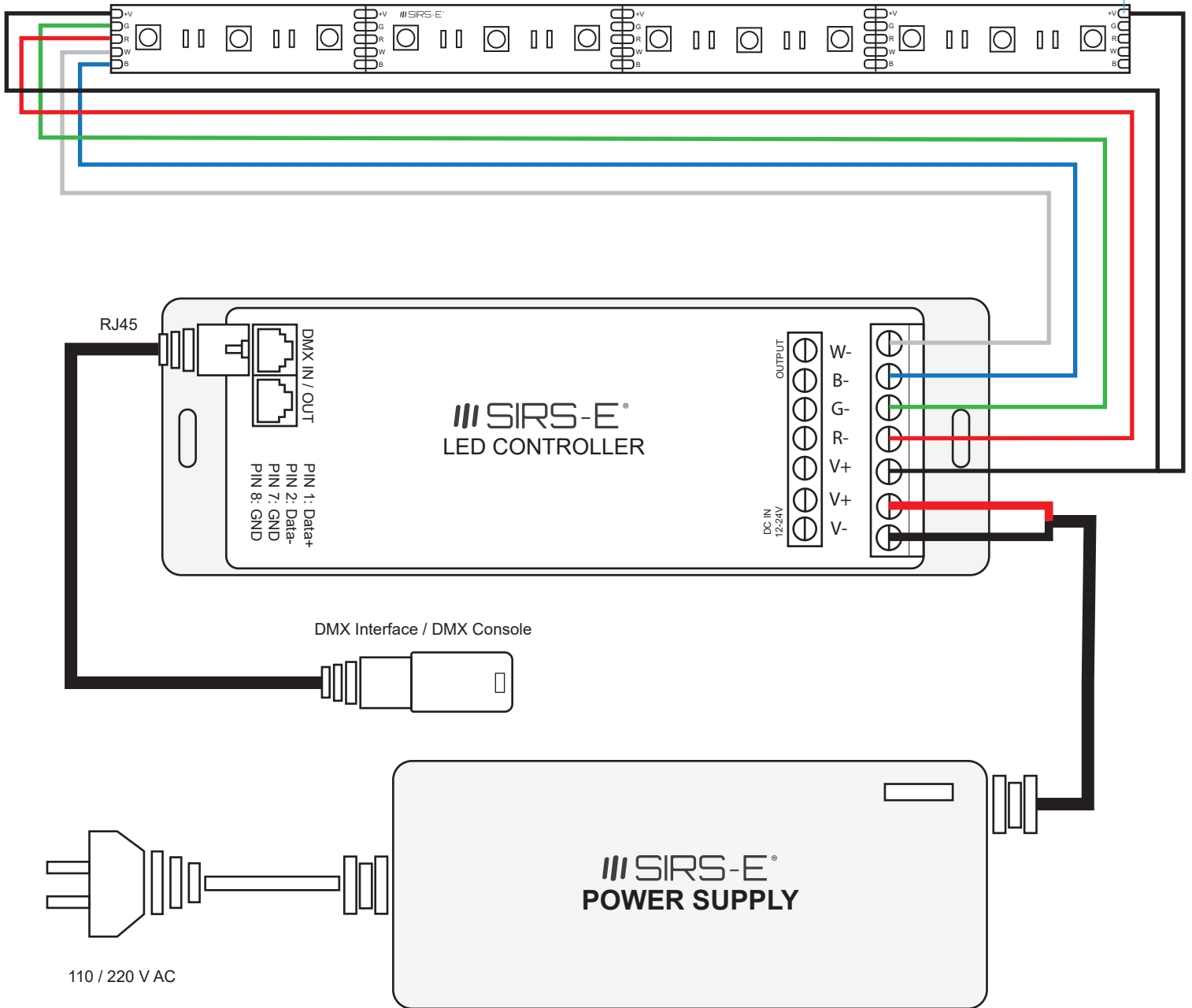


Customer Name

Project Name

Part Number

- Apply positive voltage to end of strip to avoid voltage drop
- Must be at least 22 AWG



* We recommend you hire a licensed electrician for any electrical connection and/or installation.