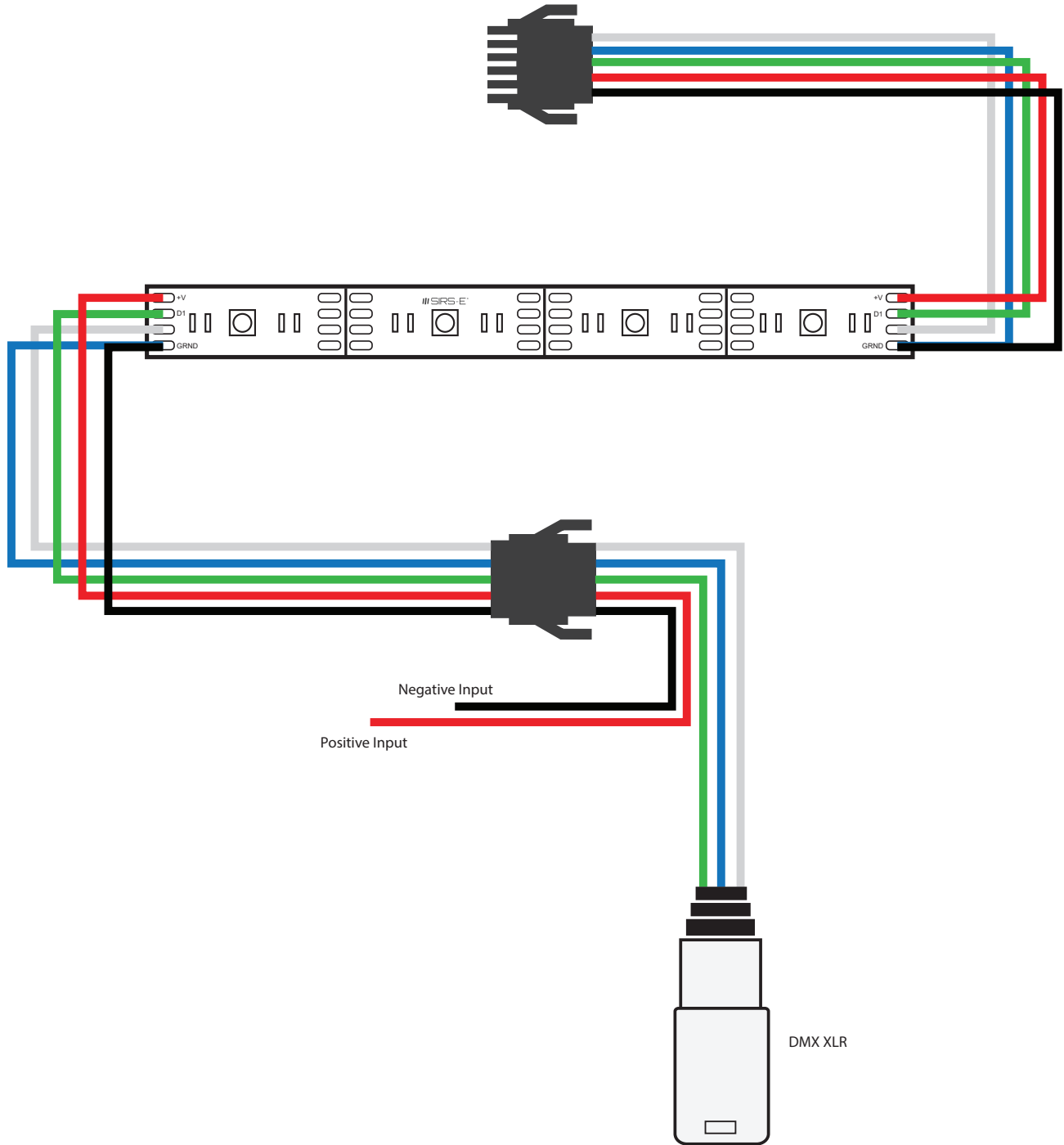


Customer Name

Project Name

Part Number



* Always supply 5V DC Power to both ends of the strip.