

15-100W, 5-48V Output DIN Rail Mount Power Supplies



- ◆ Low Cost
- ◆ 5V to 48V Outputs
- ◆ Universal Input
- ◆ Compact Size
- ◆ NEC NFPA70 Class 2⁽²⁾
- ◆ UL508 Listed
- ◆ Class 1, Division 2 (ISA 12.12)⁽³⁾
- ◆ -10 to +71°C Operation
- ◆ Convection Cooled

RoHS

Specifications		DPP15	DPP25/30	DPP50	DPP100
ITEMS	MODELS				
AC Input Voltage range	VAC		85 - 264VAC		85 - 132VAC 176 - 264VAC
Input Frequency	Hz		47 - 63Hz		
DC Input Voltage range	-		90 - 375VDC		210 - 375VDC
Inrush Current (115 / 230VAC)	A	<35A	35 / 45A	35 / 50A	35 / 55A
Power Factor	-		Meets EN61000-3-2 Class A		
Input Current (230VAC)	A	0.4	0.72	1.35	2.2
Leakage Current	mA		<0.75mA, 265VAC, 63Hz		
Output Voltage Accuracy	%		±1% (24V outputs preset at 24.5V)		
Line Regulation	%		< 0.5%		
Load Regulation	%		< 0.5%		
Ripple and Noise	mV		50mV		
Overcurrent Protection (Typ)	-		>110% (fold forward type)		
Overvoltage Protection	V		120 - 137.5%, Cycle AC line to reset		
Hold Up Time (115VAC input)	ms		> 20ms		
Parallel switch	-		No		Yes
LED Indicator	-		Green LED = On		
Operating Temperature	-		-10 to +71°C (Derate linearly 5%/°C from 61 to 71°C)		
Storage Temperature	-		-25 to +85°C		
Operating Humidity	-		20 - 90% RH (non condensing)		
Cooling (1)	-		Convection		
Withstand Voltage	-		Input to Output 3kVAC for 1 min.		
Shock	-		Half sine wave, 4G, 22ms, 3 times per face, X, Y, Z		
Vibration	-		10-500Hz (20 min sweep) 0.002G ² /Hz, 1 Grms acceleration X, Y, Z, 1 hour		
Isolation Resistance	-		>100M at 25C & 70%RH, Output to Ground 500VDC		
Safety Agency Approvals	-		UL60950-1, UL508, NEC Class 2 ⁽²⁾ , EN60950-1, CE Mark, ISA 12.12 ⁽³⁾		
Emissions	-		EN55011, EN55022 Radiated & Conducted, EN61000-6-3		
Immunity	-		EN61000-6-2, EN61000-4-2 Level 4, EN61000-4-3, EN61000-4-6 Level 3, EN61000-4-4 Level 4 (I/P) Level 3 (O/P), EN61000-4-5 Level 4, EN61000-4-8, EN61000-4-11		
Weight (Typ)	g	130		260	390
Size (WxHxD)	in	0.9x2.95x3.81"		1.77x2.95x3.58"	2.86x2.95x3.81"
Case material	-		Plastic		
MTBF (MIL-HDBK-217F, GF25)	Hours	287,000	>288,000	269,000	239,000
Warranty	-		Two years		

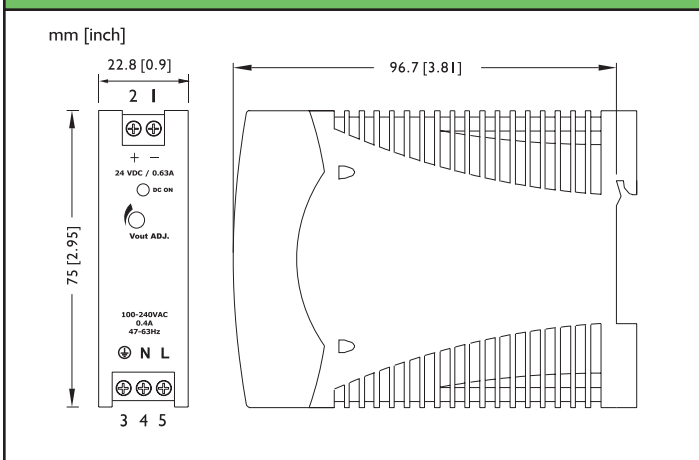
(1) Recommend 1" clearance on all sides.
 (2) See model selector. Evaluated to NEC NFPA70 Class 2 output per UL1310.
 (3) See model selector.

Model Selector

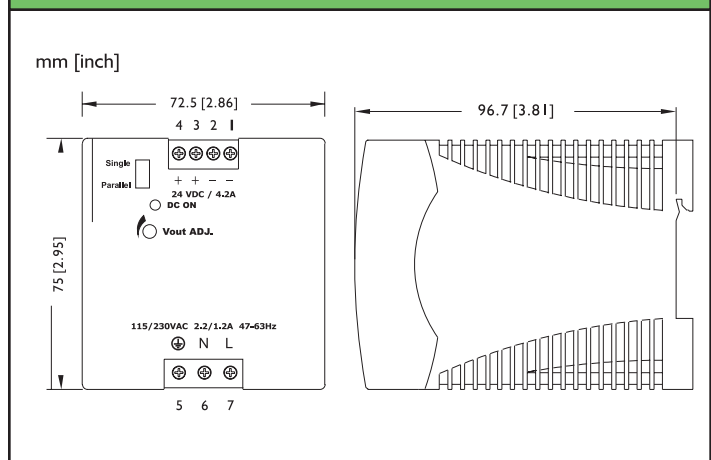
Model	Voltage (V)	Voltage Adjust (V)	Current (A)	Power (W)	Effic. (typ) %	UL1310 Class 2	ISA12.12 Class 1 Div 2(4)
DPP25-5	5	5-6	5.0	25	78	-	Yes(4)
DPP30-12	12	9.9-12.1	2.5	30	83	Yes	Yes(4)
DPP50-15	15	11.9-15.1	3.4	50	85	Yes	Yes(4)
DPP15-24	24	22.5-28.5	0.63	15	81	Yes	-
DPP30-24	24	22.5-28.5	1.3	30	84	Yes	Yes(4)
DPP50-24	24	22.5-28.5	2.1	50	86	Yes	Yes(4)
DPP100-24	24	22.5-28.5	4.2	100	87	-	-
DPP50-48	48	48-56	1.05	50	87	Yes	Yes(4)

(4) Add UL1604 suffix if required, ex. DPP3012UL1604.

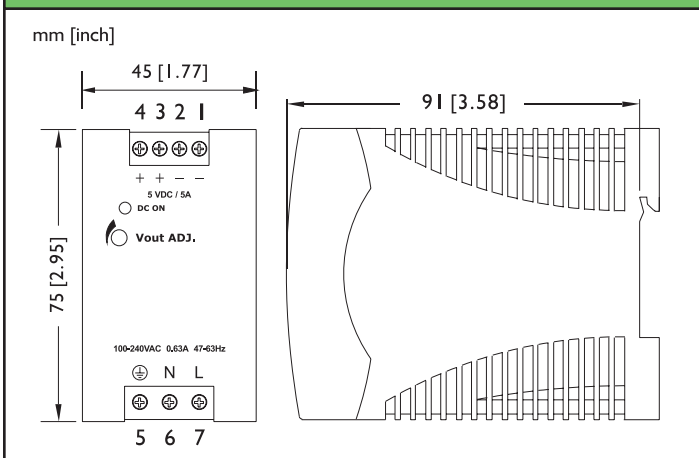
DPP15 Outline



DPP100 Outline



DPP25-DPP50 Outline



Installation:

Snap-on Mounting - snap onto DIN Rail TS35/7.5 or TS35/15. (No tools required)

Cooling - Normal Convection

Clearance - 25mm all sides

Connection - Use solid copper wire 0.5-2.0mm² (AWG24-12)

Other Lambda DIN Rail Products

DPP480	480W power supplies
DLP	75W to 240W power supplies
DLP-PU	Redundancy Module (20A)
MC/MZ/MA/MX	6A to 30A single & three phase EMI Filters