



**SIRS-E<sup>®</sup> LED Power Supply  
40 Watts, US/EU plug**

---

**LED Controller Power Supply, 5V, 40 Watts, USA/EU**

---

Model: LED-PS5V-40W  
Input Power: 100-250V AC, 50/60Hz, USA & Europe  
Output Power: 5V, 8A, 40W max  
For use with our DMX LED Strips applications.

## Summary

Thank you for choosing our LED-PS5V-40W Power Supply. This LED Power Supply provides a constant 5V DC output, with 8A output to provide 40W of total power. This LED Power Supply also has the capability of using 110V AC for US AC plugs, or 220V AC for European plugs. We also offer this power supply with both 2.5mm DC plug connector or bare wire leads options.

## Product Features

- Compatible with both US and European AC plugs.
- 8A output current, 40W max output.
- Available in bare wire leads for easy connection with DMX LED strips.
- Available in 2.5mm DC plug for easy connection with other 5V DC connectors.

## Technical Specs

**Model:** LED-PS5V-40W

**Operating Input Voltage:** 100-250V AC

**Max Current Output:** 8A

**Max Voltage Output:** 5V DC

**Max Power Output:** 40W

**Ambient Temperature:** -20°C~60°C

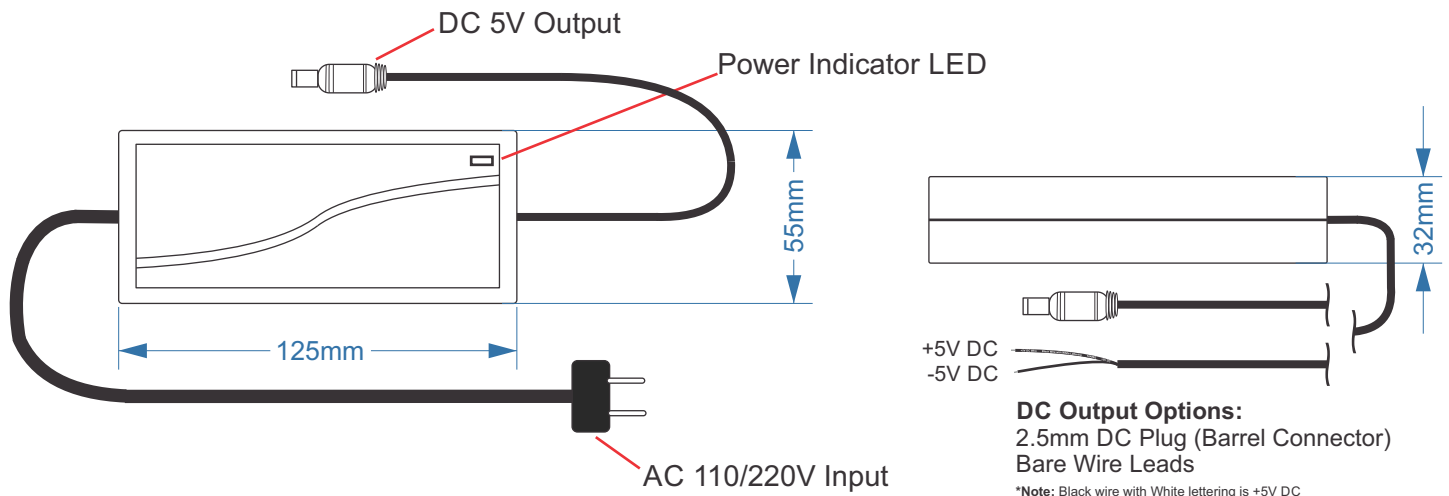
**IP Rating:** IP40 (Non-waterproof, keep dry at all times)

**Dimensions:** 125mm x 55mm x 32mm (4.92in x 2.17in x 1.26in)

**Warranty:** 1 year

**\*Note: This LED Power Supply is rated IP40, non-waterproof; please keep dry at all times.**

## Dimensions



**\* We strongly recommend you hire a licensed electrician for any electrical connection and or installation.**

Last Revised 09/02/2016