



**SIRS-E<sup>®</sup> LED Power Supply  
200 Watts, US/EU plug**

---

**LED Controller Power Supply, 5V, 200 Watts, USA/EU**

---

Model: LED-PS5V-200W  
Input Power: 100-250V AC, 50/60Hz, USA & Europe  
Output Power: 5V, 40A, 200W max  
For use with our DMX LED Strips applications.

## Summary

Thank you for choosing our LED-PS5V-200W Power Supply. This LED Power Supply provides a constant 5V DC output, with 40A output to provide 200W of total power. This LED Power Supply also has the capability of using 110V AC for US AC plugs, or 220V AC for European plugs.

## Product Features

- Switchable input for both US and European AC plugs.
- 40A output current, 200W max output.
- Connect with bare wire leads for easy connection with DMX LED strips.
- Output voltage adjustable.

## Technical Specs

**Model:** LED-PS5V-200W

**Operating Input Voltage:** 100-220V AC

**Max Current Output:** 40A

**Max Voltage Output:** 5V DC

**Max Power Output:** 200W

**Ambient Temperature:** -20°C~60°C

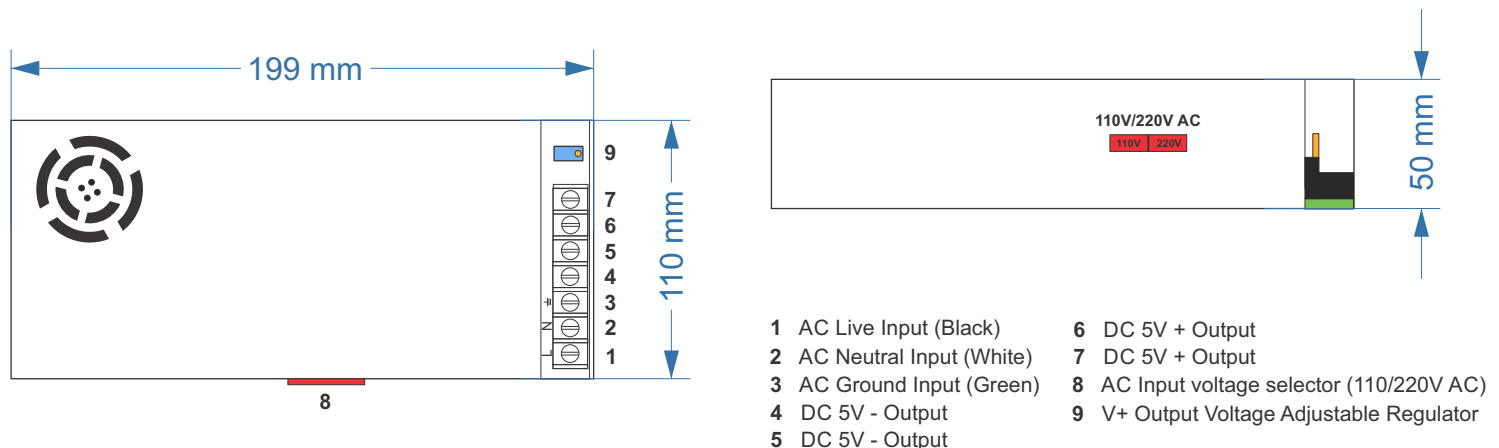
**IP Rating:** IP40 (Non-waterproof, keep dry at all times)

**Dimensions:** 199mm x 110mm x 50mm (7.83in x 4.33in x 1.96in)

**Warranty:** 1 year

**\*Note: This LED Power Supply is rated IP40, non-waterproof; please keep dry at all times.**

## Dimensions



**\* We strongly recommend you hire a licensed electrician for any electrical connection and or installation.**

Last Revised 09/02/2016