



**SIRS-E[®] LED Power Supply
200 Watts, US/EU plug**

LED Controller Power Supply, 12V, 200 Watts, USA/EU

Model: LED-PS12V-200W
Input Power: 100-240V AC, 50/60Hz, USA & Europe
Output Power: 12V, 16.6A, 200W max
For use with LED applications.

Summary

Thank you for choosing our LED-PS12V-200W Power Supply. This LED Power Supply provides a constant 12V DC output, with 16.6A output to provide 200W of total power. This LED Power Supply also has the capability of using 110V AC for US AC plugs, or 220V AC for European plugs.

Product Features

- Switchable input for both US and European AC plugs.
- 16.6A output current, 200W max output.
- Connect with bare wire leads for easy connection with LED strips.
- Output voltage adjustable.

Technical Specs

Model: LED-PS12V-200W

Operating Input Voltage: 100-220V AC

Max Current Output: 16.6A

Max Voltage Output: 12V DC

Max Power Output: 200W

Ambient Temperature: -20°C~60°C

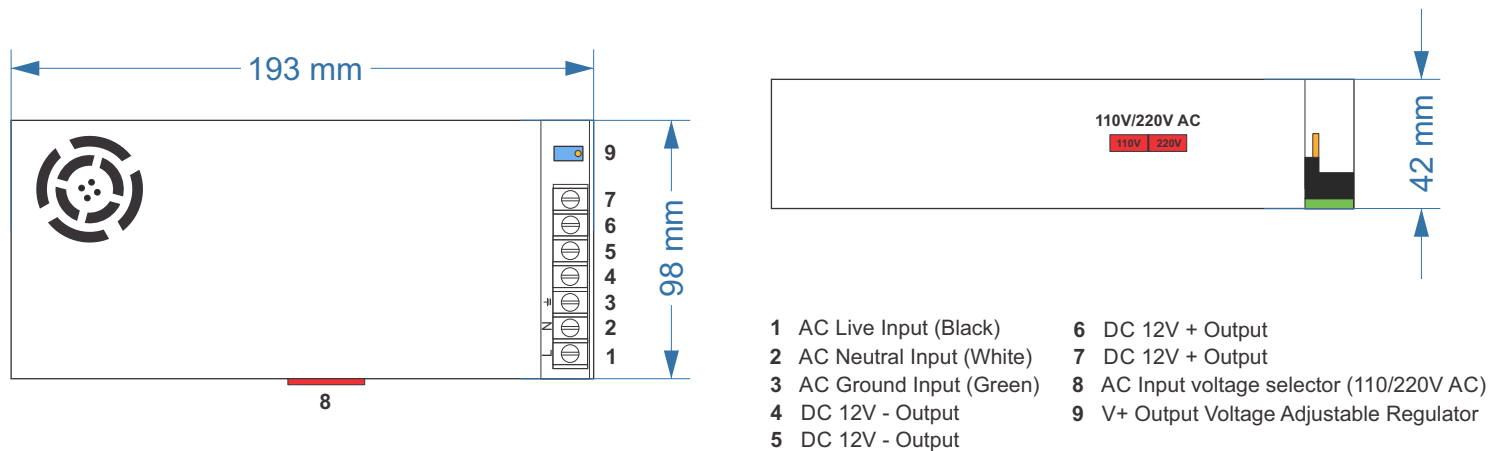
IP Rating: IP40 (Non-waterproof, keep dry at all times)

Dimensions: 193mm x 98mm x 42mm (7.59in x 3.87in x 1.70in)

Warranty: 1 year

***Note: This LED Power Supply is rated IP40, non-waterproof; please keep dry at all times.**

Dimensions



*** We strongly recommend you hire a licensed electrician for any electrical connection and or installation.**

Last Revised 09/02/2016