



The Original AD-PRO-6

Designed, Engineered and Assembled in the USA

6 Universe ARTNET to DMX PRO Controller

Model: AD-PRO-6

Control: Ethernet Protocol ArtNet III to DMX 512

Summary

Thank you for choosing the new AD-PRO-6 Controller. We are proud to present a controller engineered, designed and manufactured entirely by SIRS-E® in the US. Manage up to 6 DMX universes (3072 DMX Channels) simultaneously or link various units for unlimited universe options.***This model is simple to use and set up. Its design is based around a quick configuration. That way you can simply connect and use it with ease. The AD-PRO-6's durable casing is made from high quality ABS materials. It is built to withstand everyday falls and impact. This model is also compatible with sACN multicast and Unicast.

***Linked units can give you access to unlimited universe control in multiples of 6 universes per unit.

Use of unlimited number of universes may be restricted depending on DMX Software used or Network Capabilities.

Product Features

Ethernet protocol ArtNet III and sACN Inputs

DMX 512 Protocol Output

Capable of controlling up to 6 DMX Universes (3072 Channels)

Ergonomic enclosure made with durable high quality ABS material

Web server for easy configuration and setup

Web browser capabilities for configuration of Network and DMX Universes

DMX ports have overload protection

Default IP Reset

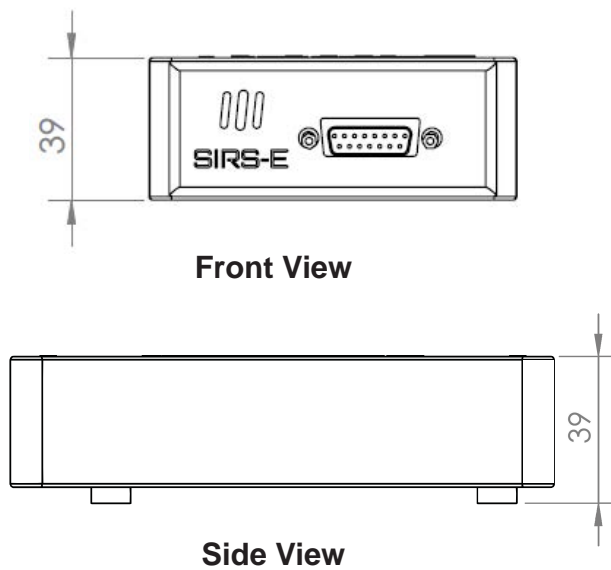
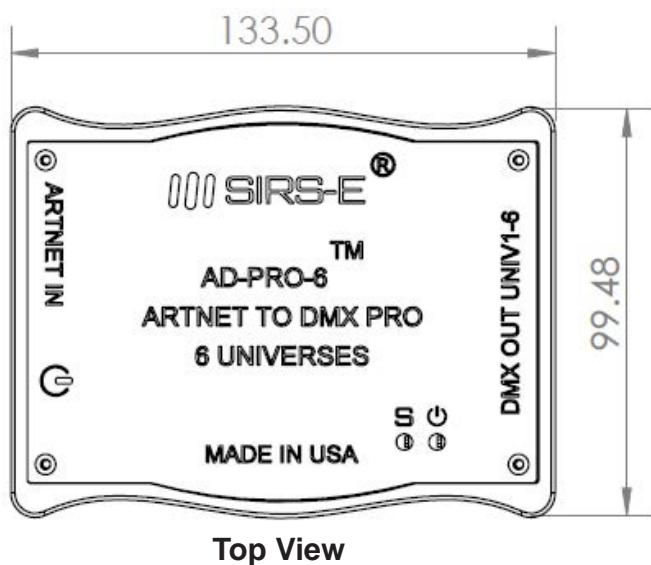
Includes 12V Power Supply, Breakout Cable for 6 Universes (DB15 to 6 XLR Connectors) and Heavy Duty CAT5 RJ45 to RJ45

Tech-parameters

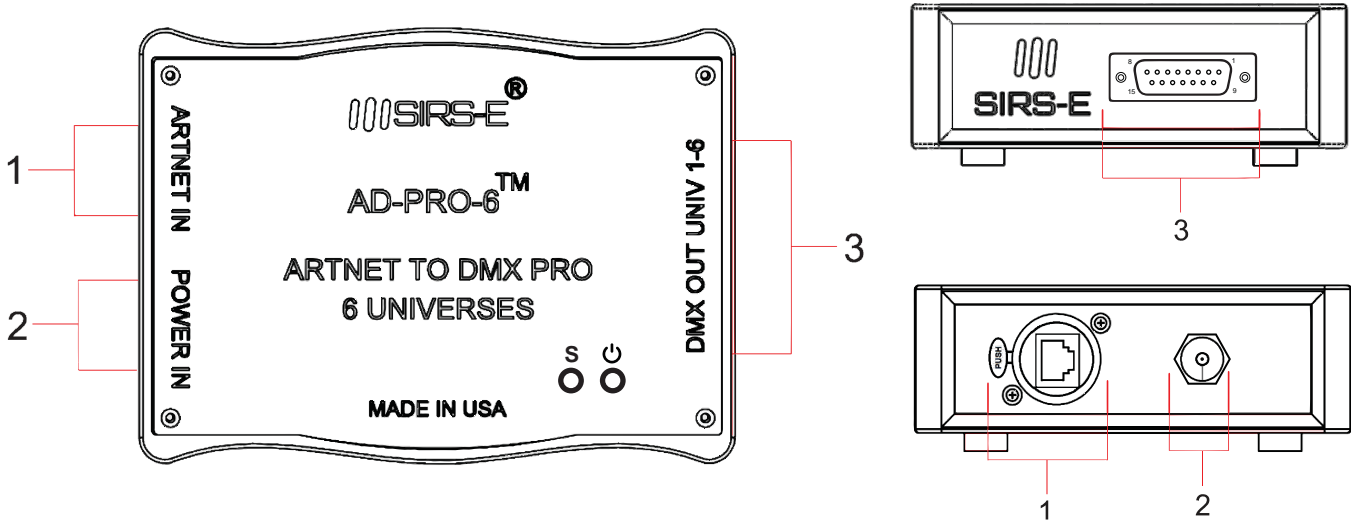
Signal Input:	Ethernet ArtNet Protocol/sACN Multicast (E1.31)
Signal Output:	DMX 512 Protocol (following USITT standards)
Power Supply:	DC 12V/1.25A
Supply Current:	350mA
Input Supply Voltage:	7V-24V (Unit can operate between these voltages)
Operating Temp. :	-40°C to 50°C (-40°F to 122°F)
Size:	133.5(mm)*99.48(mm)*39(mm)
Net Weight:	7.2 oz (204.1g)
IP Rating:	IP-40
Finishing:	Grey with white letters

***Note: This model of AD-PRO-6 is non waterproof, please keep dry at all times. IP-40**

Dimensions



Physical Layout



Legend:

1. Neutrik EtherCon High Quality Ethernet Input
2. High Quality Switchcraft Power Supply Screw-in Input
3. Winford DB15 Breakout Cable Output

*Note

**We recommend you hire a licensed electrician for any electrical connection, and or installation.
 We reserve the right to make changes without any prior notice.

Last revised on 01/05/2018