



OVERVIEW

Pathport VIA 12 is a twelve copper port (plus two mini-GBIC) Gigabit Ethernet Switch designed specifically for lighting, sound and video signal routing in all entertainment production systems, including live shows. Unlike switches designed and marketed for office and communication applications, VIA 12 is convection cooled and ships as an unmanaged switch, pre-configured and optimized for entertainment network use. Layer 2 and 3 management features are enabled and configured through the front panel interface and the free, Pathport Manager software tools.

SPECIFICATIONS

- 85-250VAC wide-ranging power input
- Operating Conditions: 0-50°C, 10-90% relative humidity, non-condensing
- 17 x 7 x 1.7 in (432 x 152 x 40mm)
- 5.2 lb (2.4 kg)
- Shipping Wt: 8.0 lb (3.6 kg)

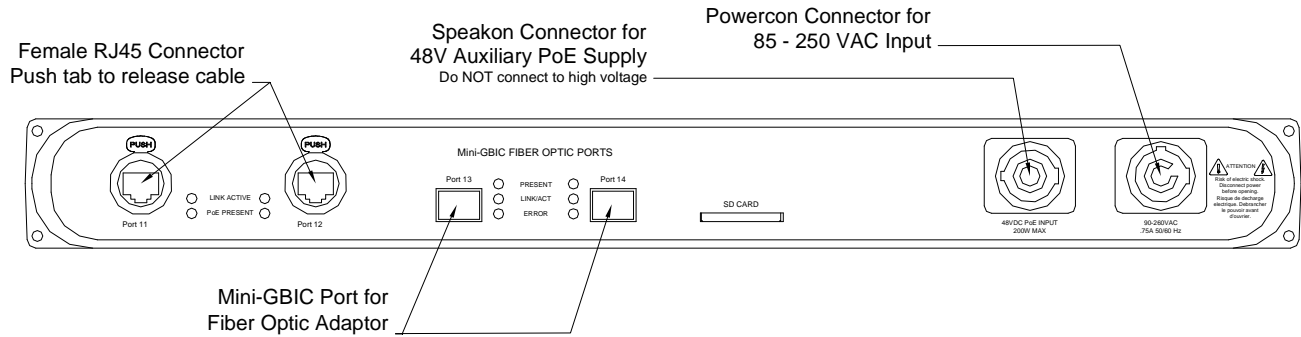
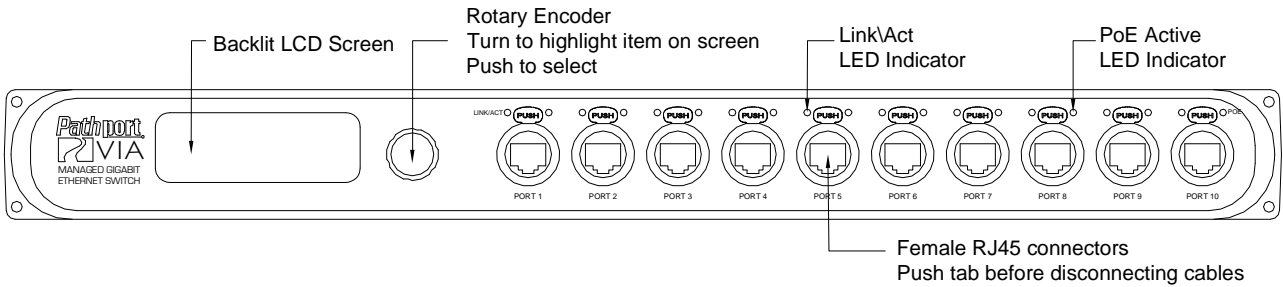
STANDARDS COMPLIANCE

- IEEE 802.3af—Power over Ethernet (with external power supply)
- Audio Visual Bridge
- CE
- RoHS 2002/95/EC

FEATURES

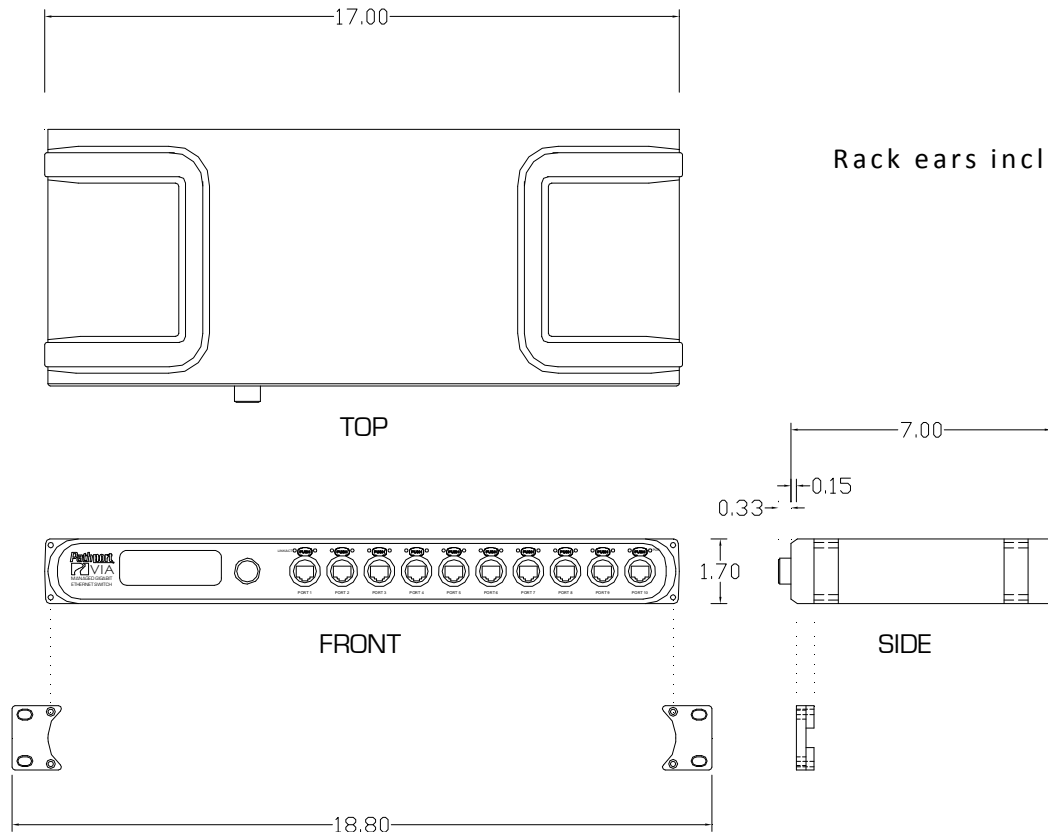
- Silent operation: fanless, convection cooled design
- Illuminated LCD display and rotary encoder for setting and displaying switch and port properties
- Global properties editable from front panel interface: IP Address, Subnet Mask, Default Gateway, VLAN configuration, ring protection, link speed, PoE (Power-over-Ethernet) allocation
- Properties displayed by front panel interface: Switch Name, Port Name, PoE usage, Serial Number, MAC address, firmware version, connected Pathports, link status
- Supports Ethernet Automatic Protection Switching (rapid ring failure detection and correction)
- Hardware support for Audio Visual Bridge (AVB) (requires future software support to unlock)
- Ten Ethercon® RJ45 copper ports on front panel
- Two Ethercon® RJ45 copper ports on rear panel
- All copper ports support 10/100/1000 Mbit speeds
- Two mini-GBIC ports on rear panel, for SFP fiber or copper modules (by others)
- SD Card slot on rear, for switch configuration archiving and restoration
- With auxiliary power supply, up to Class 3 PoE available on all copper ports
- Wide range input power supply accommodates all countries mains voltage and frequency
- Rugged 1 RU high aluminum housing fits 19" rack
- Ships with rack-ears standard
- Suitable for desktop operation
- Wall and truss or pipe-mount adaptors available as accessories
- Advanced configuration and firmware upgrades performed with Pathport Manager software

FRONT PANEL

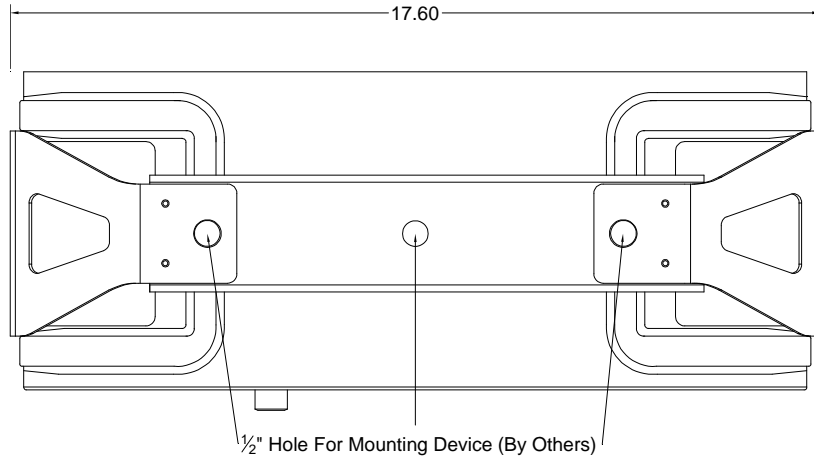


REAR PANEL

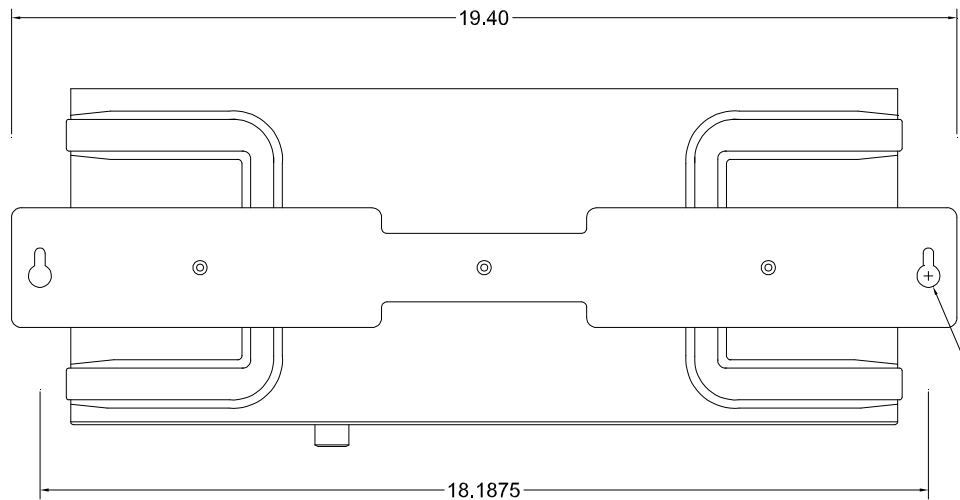
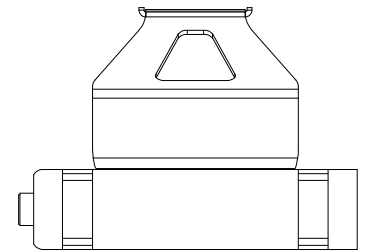
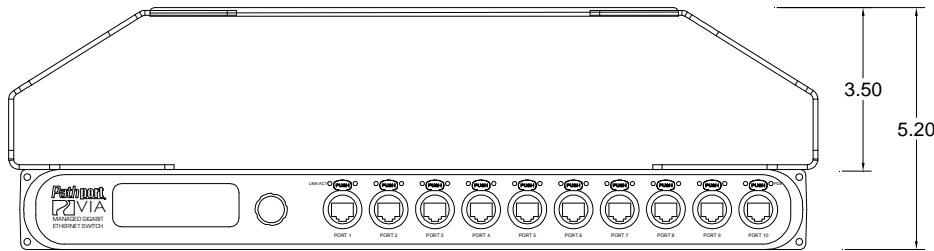
DIMENSIONS — Standard Mounting Shown



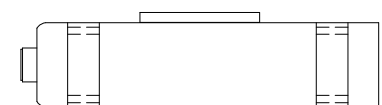
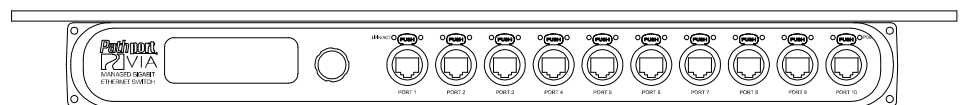
MOUNTING OPTIONS



TRUSS MOUNT
Accessory Part# 9003

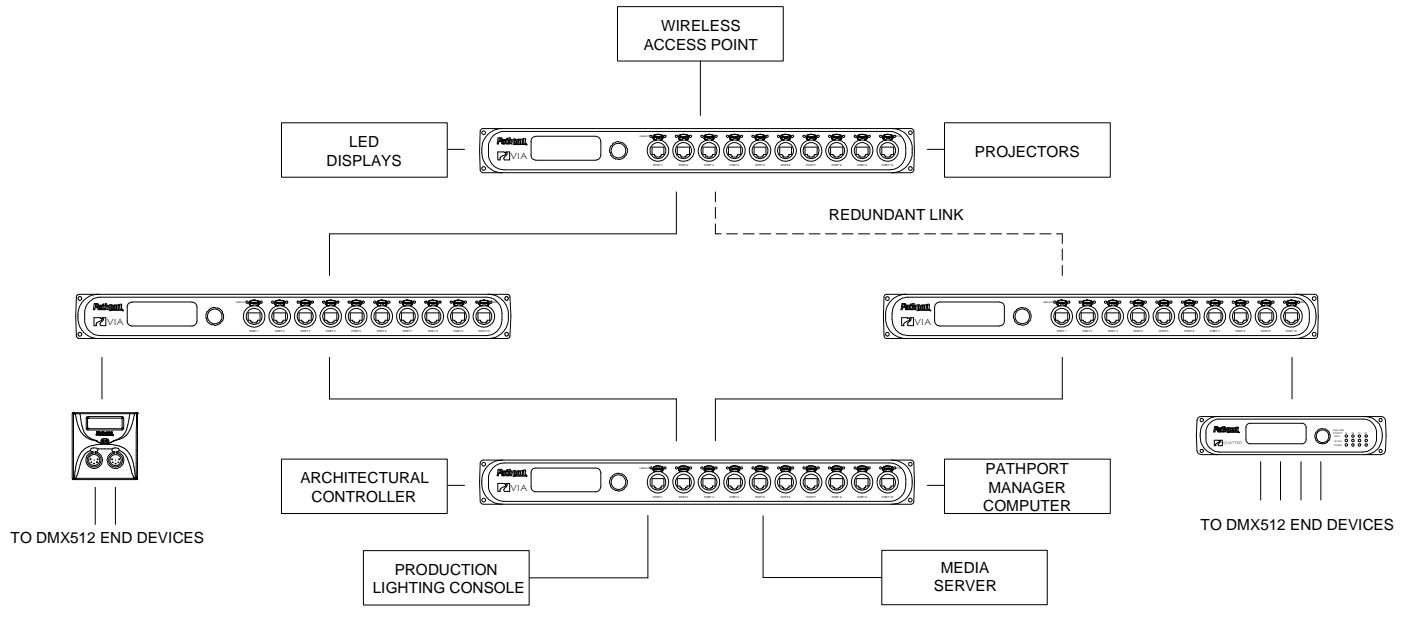


WALL MOUNT
Accessory Part# 9002

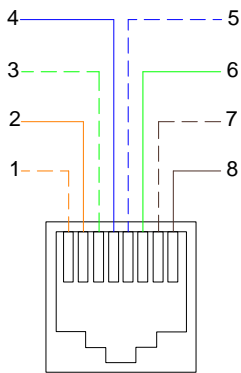


APPLICATION RISER

Gigabit Ethernet Switch



PRODUCT PINOUTS



PIN	COLOR
1	WHT/ORG
2	ORANGE
3	WHT/GRN
4	BLUE
5	WHT/BLU
6	GREEN
7	WHT/BRN
8	BROWN

COMPLIES WITH TIA-EIA 568B

ORDERING INFORMATION

Part #	Description
6740	VIA 12 + 2 Gigabit Ethernet Switch
Accessories	
9002	Wall Mount Adaptor
9003	Truss/Pipe Mount Adaptor
7948-100	Auxiliary 100W PoE Power Supply