

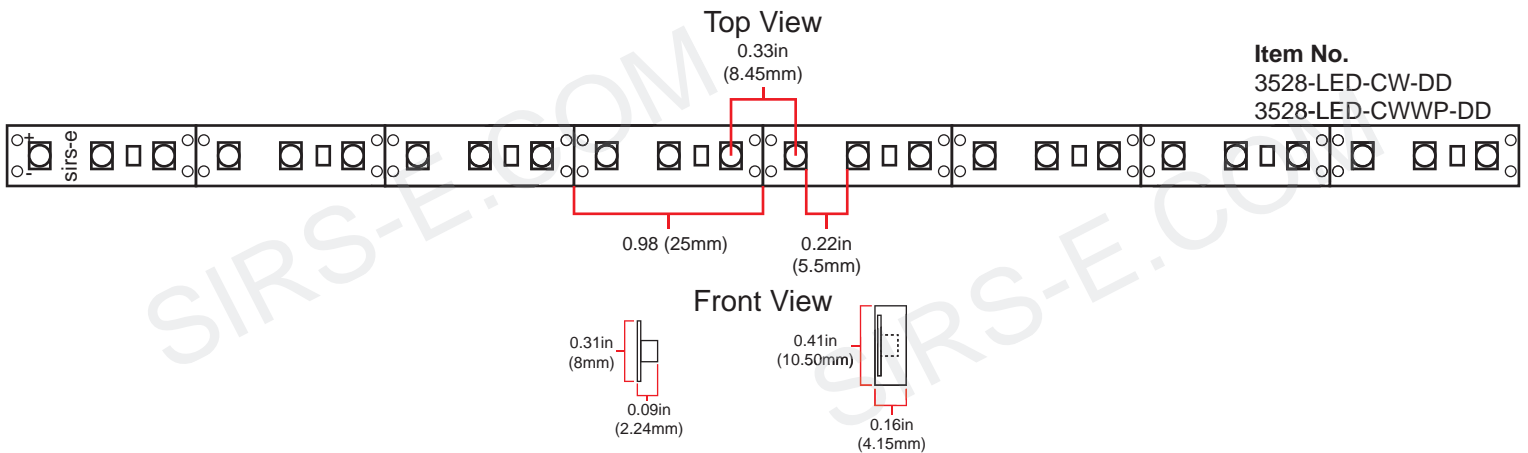
Item No. 3825-LED-CW-DD		
LED Cool White Strip 3825 SMD 5m 16.4ft Double Density 120LED/m IP40		
LED INFO ON LED STRIP		
LED Density	36 /ft 120 /m	
LED Count (Total)	600 Per Reel	
LED Type	High Quality Selected 3825 SMD	
LED Ambience Operating Temperature	-20°F to 120°F	
LED Storage Temperature	-13°F to 140°F	
POWER*		
Working Voltage / Input Voltage / Voltage Forward	12V DC	
Power Consumption (Watts) <i>Max.</i>	2.23 W /ft	7.32 W /m 36.6 W/ 5m Reel
Current Draw / Input Current / Current <i>Max.</i>	3050mA	3.05A 5m Reel
Power Drop Along the Strip (Meter) <i>Approx.</i>	1m = ~3% 5m = ~16%	
PHOTOMETRY		
Light Color	Cool White	
Brightness (Lumen)	Call for Information	
Beam Angle	120°	
UV/IR Emission	None	
Lifespan / Average Lifetime / Lumen Maintenance	50,000 to 75,000 hours	
DIMENSIONS		
Reel Total Length	16.4ft	5m
LED Spacing Between Centers (Inches Millimeters)	.33in	8.45mm
LED Spacing Between Edges (Inches Millimeters)	.22in	5.5mm
Minimum Cuttable Segments (Inches Millimeters)	0.98in	25mm (3 LEDs)
Width (Inches Millimeters)	0.31in	8mm
Height (Inches Millimeters)	0.09in	2.24mm
Cable Leads (Inches Millimeters)	7in	178mm
LED STRIP INFORMATION		
LED Strip IP Rating	Non Waterproof IP40	
LED Strip Adhesive	High Quality 3M Adhesive	
LED Strip Finish Color / Product Color	Copper	
LED Strip Weight (Without Packaging Material)	2.1 oz	59.53g
LED Strip Warranty	3 Years Limited	

Item No. 3825-LED-CW-DD (Continued)	
LED Cool White Strip 3825 SMD 5m 16.4ft Double Density 120LED/m IP40	
PRODUCT COUNTRY OF ORIGIN	
QC Quality Control	USA
Product Engineering & Design	USA
Assembled	China
Technical Support	USA
Product Customization	USA
INSTALLATION MATERIALS & ASSOCIATED PRODUCTS	
Dimming and Color Mixing Options	DMX, Radio Frequency (RF), Infrared (IR), & Analog
Max Length in One Run for Linear Lighting	Unlimited Thru Amplifiers or DMX Controllers
Power Supply	Options Available
DMX Programming & Stand Alone	Options Available
LED RGB Strip Connectors	Options Available
4 Wire Installation Cables	Options Available
2 Wire Installation Cables	Options Available
Installation Accessories	Options Available
Installation Kits	Soldering Kit, Heatshrink Kit, Silicone Tube

(*) NOTES

- Due to our constant revisions/upgrades of our line of White LED Strips, lumen output increases with every generation
- The Strip Power Rating was measured with power input on both ends
- A good technique to minimize voltage drop and increase lumen output is to power the strip on both ends.
- LED electrical and optical characteristics change with the die manufacturing date.
- LED performance and life span is affected by environmental conditions, manufacturing techniques, and actual component characteristics.
- We reserve the right to change any data without prior notice.

Segment Close Up and Dimensions



3528-LED-CW-DD

3528-LED-CWDP-DD