

### DIN-LED4 700



#### GENERAL INFORMATION

A constant current LED4 700 driver with DMX/RDM input. The DIN mountable driver includes 4 outputs with a maximum of 700mA per output. 500Hz PWM signal dimming with 8 bit resolution. Inbuilt 2 automode programs with colour cycle and adjustable speed. DMX Address or automode can be set via RDM controller. DMX input wired to 3 way screw connector. All outputs wired via 10 way screw connector

#### APPLICATIONS

- Retail
- Architectural
- Commercial
- Pubs & Clubs
- Restaurants & Food Courts

#### FEATURES

- DIN RAIL mountable

- single input DMX port on 3 way screw connectors
- Output wire in 4 output on 10 way screw connector
- Each channel has auto reset 700mA overcurrent protection
- DMX activity LED
- RDM activity LED
- Status LED
- Requires External 9v-24DC power supply
- CE, FCC CERTIFIED

#### ORDERING INFORMATION

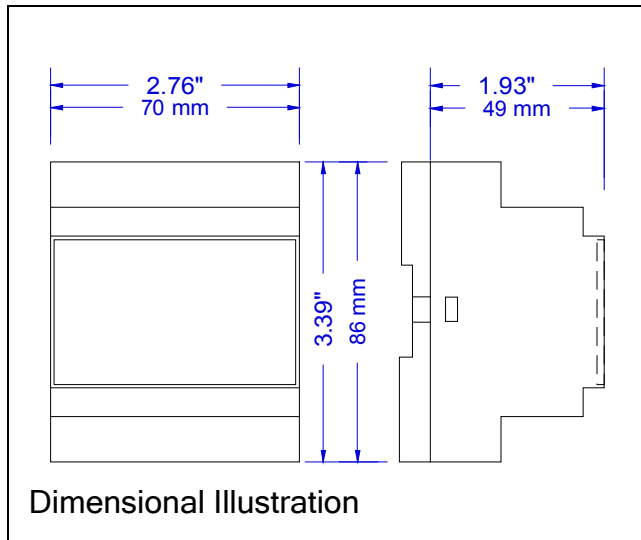
Part Number	Description
71007	DIN-LED4 700
79104	9V DC plug pack Power Supply

#### GENERAL SPECIFICATIONS

Power Requirements	Power over DINTEC
Weight	118g/0.26lbs
Shipped Weight	150g/0.33bs
Width:	70mm/ 2.75"
Height	86mm/3.39"
Depth	57mm/1.93"
DIN RAIL	4 MODULES wide
Operating Environment	0°-50°C in non-condensing environment

#### OTHER SPECIFICATIONS

- Configuration of this component not applicable.
- CE, FCC CERTIFIED



### Important information:

Ensure 3 way screw connectors are pressed in firmly for proper contact.

Power supply not provided with DIN-4700.  
Requires separate order. Power source can be 9-24V DC.

