

Waterproof LED RGB Controller for all 5050 RGB Strips



Features

- A total of 16 available sequences to choose from, 2 color rotating sequences and 14 static colors.
- Wireless RF control, up to 20 meters in line of sight range.
- User friendly set up and control
- Compatible with **LED-AMP-12V** for unlimited amplification.

Product Specs

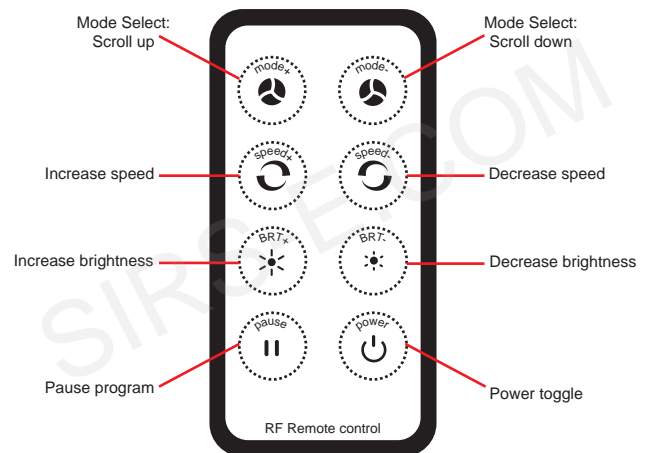
Model: LED-CON-RF-WP
Operating Voltage: DC 12V~24 V
Max Current per Channel: 3A @ 12VDC, 1.5A @ 24VDC
Ambient Temperature: -20°C – 70°C
Net Weight: 224 grams
IP Rating: IP65 Waterproof

Changing Patterns

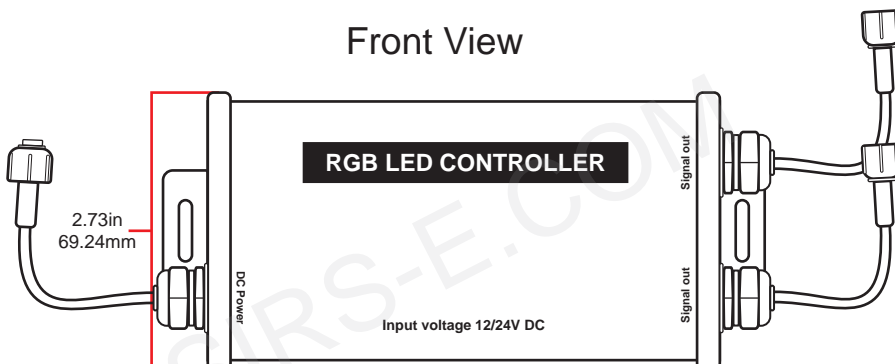
- | | | | |
|------------------|------------------|------------------|------------------|
| 1. Static Red | 5. Static Purple | 9. Red Fades | 13. Purple Fades |
| 2. Static Green | 6. Static Cyan | 10. Green Fades | 14. Cyan Fades |
| 3. Static Blue | 7. Static White | 11. Blue Fades | 15. White Fades |
| 4. Static Yellow | 8. RGB Jump | 12. Yellow Fades | 16. RGB Fades |

- Single color static (dimming can be done)
- Colors jump (dimming and adjustable speed)
- RGB jump (dimming and adjustable speed)
- Gradual color change (adjustable speed)

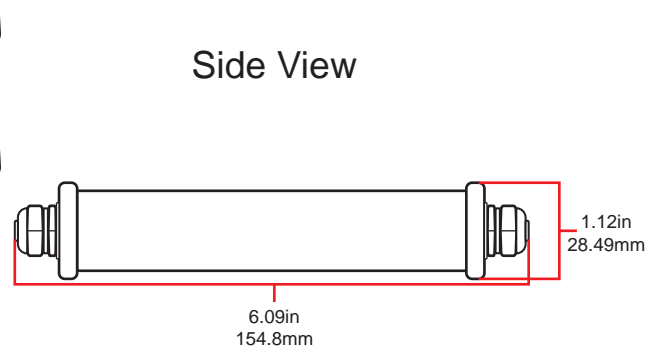
Remote Key



Front View



Side View



(*Also has 4.25in of waterproof cable on both sides)

Last Revised 11/20/2014